

1 2 3 4 5 6 7 8

A

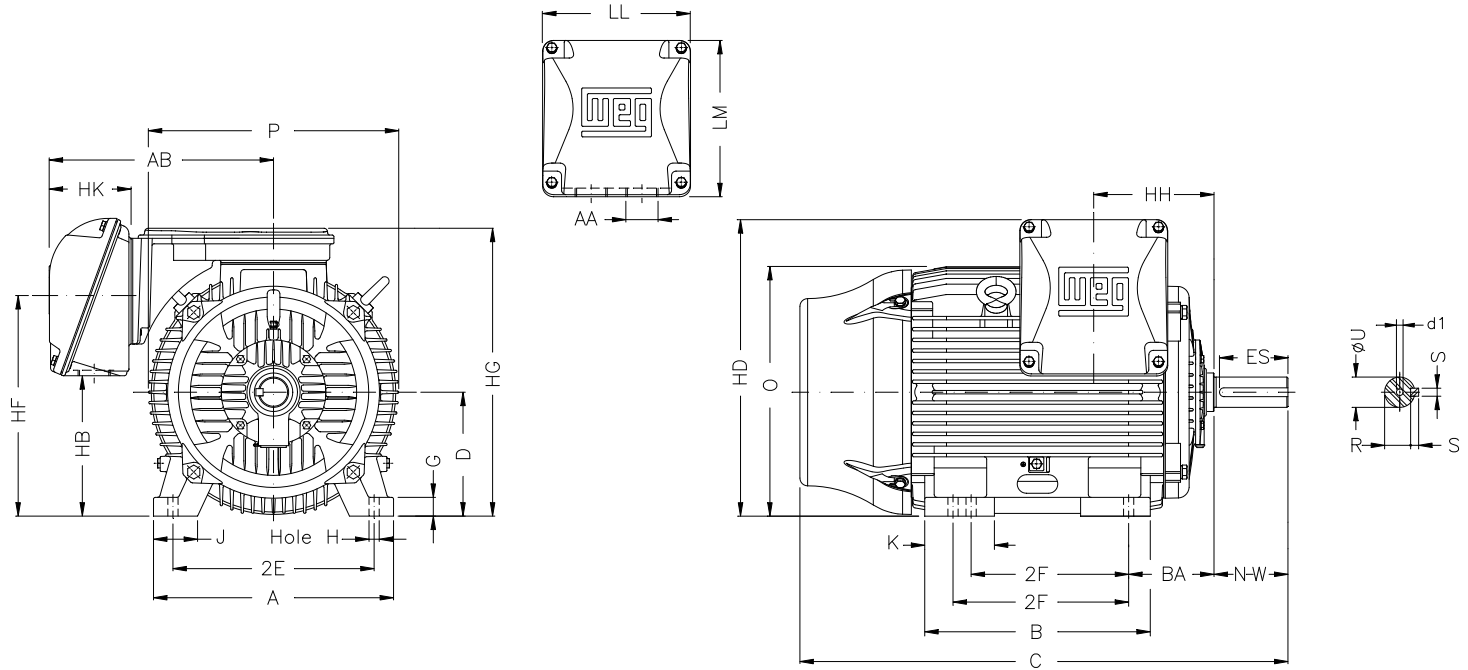
B

C

D

E

F



Notes: Downloaded from <http://dealerselectric.com>
Generated for Model #40018EP3GKD580Z-W22

| | | | | |
|---------------------|--------------|--------------|----------------|-------------------|
| 2E 23.000 | J 5.512 | A 29.528 | P 28.977 | AB 23.189 |
| 2F 22.000/25.000 | K 9.055 | B 29.921 | BA 10.000 | U 4.375 |
| N-W 11.625 | ES 8.661 | S 1.000 | R 3.816 | depth 1.000 |
| D 14.500 | G 2.492 | HB 18.575 | O 28.985 | HD 35.740 |
| HF 26.732 | HG 35.236 | HH 13.346 | HK 8.661 | H 1.181 |
| C 61.902 | LL 15.906 | LM 17.165 | AA 2xNPT 3" | d1 DUNC 7/8"-9 |
| d2 DUNC 3/4"-10 | | | | |

Performed by:

Checked:

Customer:

Three-Phase: W22 Crusher Duty TEFC (IP55)

Three-phase induction motor
Frame 586/7Z - IP55

29-SEP-2016

