

1 2 3 4 5 6 7 8

A

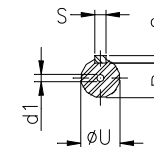
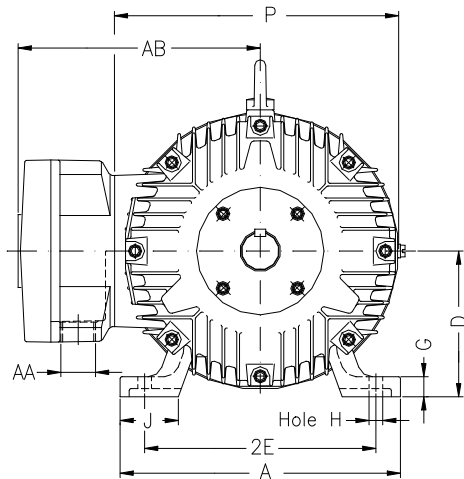
B

C

D

E

F



Notes: Downloaded from <http://dealerselectric.com>
Generated for Model #35036XP3G586/7S

Performed by:

Checked:

Customer:

Three-Phase : Explosion Proof - High Efficiency

Three-phase induction motor
Frame 586/7TS - IP54

29-SEP-2016



2E 23.000	A 29.528	2F 22.000/25.000	B 29.921	BA 10.00
J 5.236	K 7.874	P 30.709	ES 3.000	depth 0.625
S 0.625	N-W 4.750	U 2.375	R 2.021	AB 25.787
D 14.500	G 2.492	O 30.428	H 1.181	C 54.514
AA 2xNPT 3"	d1 DUNC 3/4"-10	d2 DUNC 3/4"-10	T 4.291	