

1 2 3 4 5 6 7 8

A

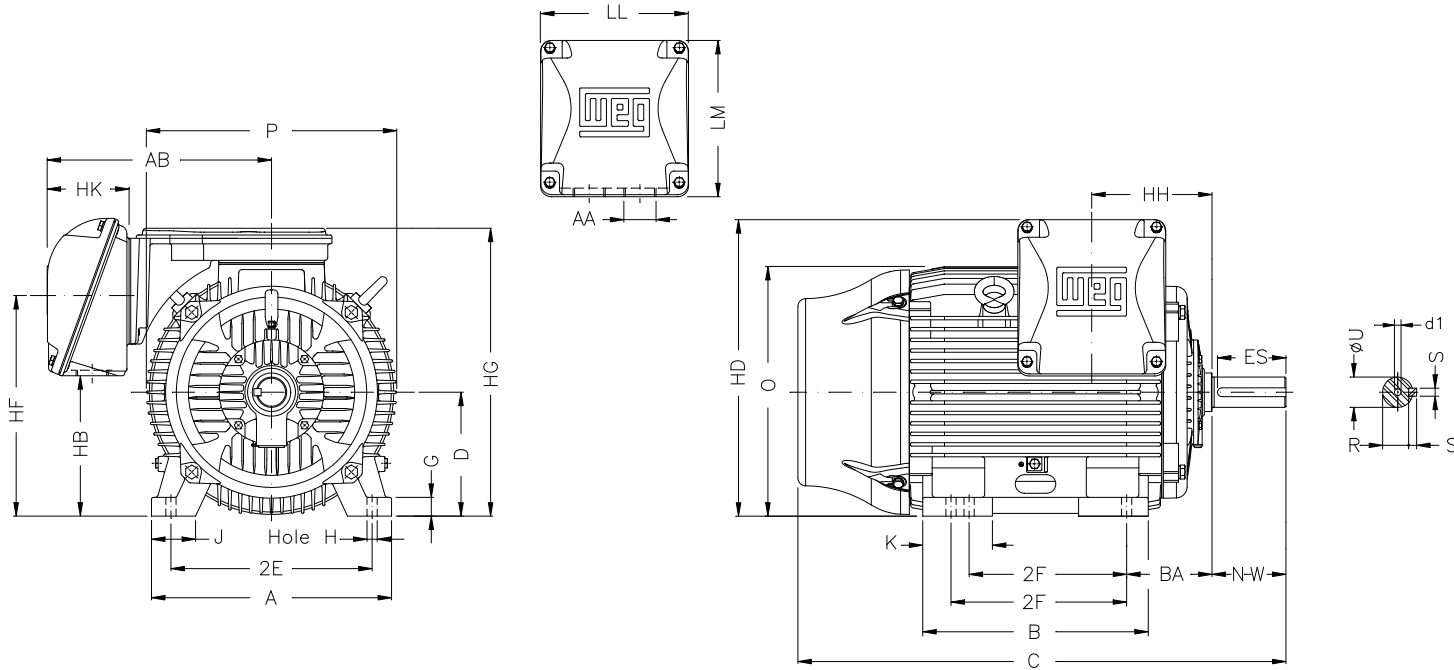
B

C

D

E

F



Notes: Downloaded from <http://dealerselectric.com>  
Generated for Model #35036EP3G449TS-W22

Performed by:

Checked:

Customer:

W22 High Efficiency

Three-phase induction motor  
Frame 447/9TS - IP55

29-SEP-2016



2E 18.000	J 3.937	A 21.929	P 23.583	AB 20.670
2F 20.000/25.000	K 11.77	B 31.535	BA 7.500	U 2.375
N-W 4.750	ES 3.000	S 0.625	R 2.021	depth 0.625
D 11.000	G 1.630	HB 12.598	O 22.795	HD 30.173
HF 20.724	HG 26.850	HH 11.803	HK 6.968	H 0.810
C 52.588	LL 14.646	LM 15.040	AA 2XNPT 3"	d1 DUNC 3/4"-10