

1 2 3 4 5 6 7 8

A

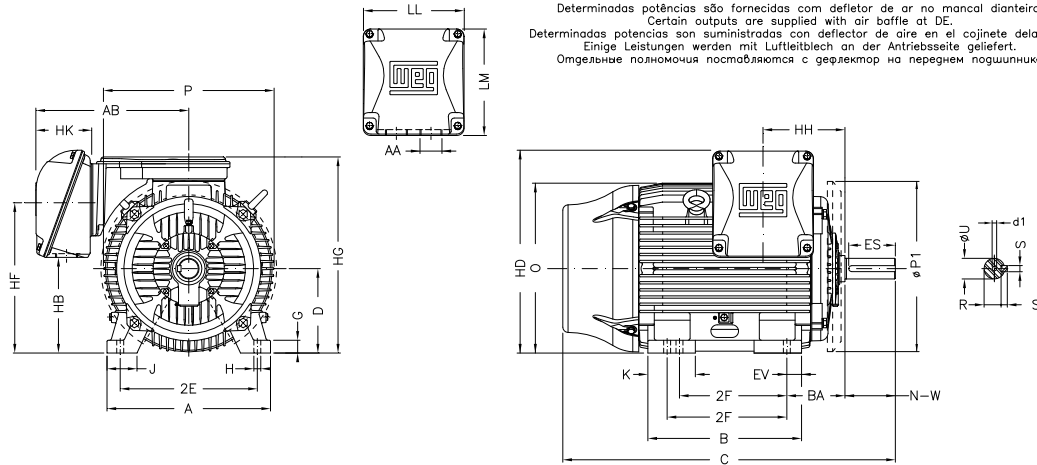
B

C

D

E

F



Determinadas potências são fornecidas com defletor de ar no mancal dianteiro.  
 Certain outputs are supplied with air baffle at DE.  
 Determinadas potencias son suministradas con deflector de aire en el cojinete delantero.  
 Einige Leistungen werden mit Luftblech an der Antriebsseite geliefert.  
 Отдельные полнomoчия поставляются с дефлектор на переднем подшипнике.

Notes: Downloaded from <http://dealerselectric.com>  
 Generated for Model #35012ET3G449T-W22

|                     |              |              |              |                |
|---------------------|--------------|--------------|--------------|----------------|
| 2E<br>18.000        | J<br>3.937   | A<br>21.929  | P<br>25.866  | AB<br>23.720   |
| 2F<br>20.000/25.000 | K<br>11.688  | B<br>31.535  | BA<br>7.500  | U<br>3.375     |
| N-W<br>8.500        | ES<br>7.087  | S<br>0.875   | R<br>2.880   | depth<br>0.875 |
| D<br>11.000         | G<br>1.630   | HB<br>11.535 | O<br>23.874  | HD<br>30.708   |
| HF<br>20.551        | HG<br>28.185 | HH<br>11.870 | HK<br>8.661  | EV<br>2.638    |
| H<br>0.810          | C<br>57.181  | LL<br>15.906 | LM<br>17.165 | AA<br>2xNPT 3" |
| d1<br>DUNC 3/4"-10  |              |              |              |                |

|   |             |
|---|-------------|
| Performed by:                                       |             |
| Checked:  |             |
| Customer:   |             |
| W22 NEMA Premium - Ball Bearings                    |             |
| Three-phase induction motor<br>Frame L447/9T - IP55 | 29-SEP-2016 |

