

1 2 3 4 5 6 7 8

A

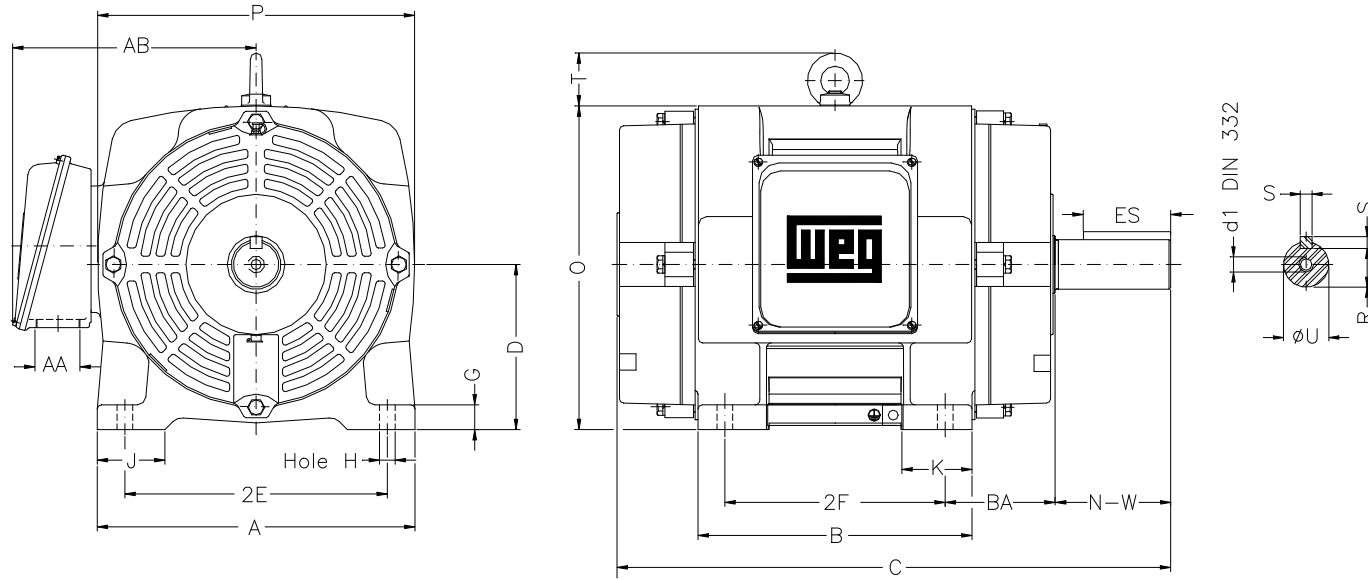
B

C

D

E

F



Notes: Downloaded from <http://dealerselectric.com>  
Generated for Model #30036OP3G445TS

Performed by:

Checked:

Customer:

ODP – Open Induction Motors – High Efficiency

Three-phase induction motor  
Frame 445TS - IP23

29-SEP-2016



|              |                |                     |             |                |
|--------------|----------------|---------------------|-------------|----------------|
| 2E<br>18.000 | A<br>21.929    | 2F<br>14.500/16.500 | B<br>20.078 | BA<br>7.500    |
| J<br>3.937   | K<br>5.590     | P<br>22.125         | ES<br>3.000 | depth<br>0.625 |
| S<br>0.625   | D<br>11.000    | N-W<br>4.750        | G<br>1.811  | U<br>2.375     |
| O<br>22.440  | T<br>3.544     | R<br>2.021          | H<br>0.807  | AB<br>20.236   |
| C<br>36.062  | AA<br>2xNPT 3" | d1<br>DUNC 3/4"-10  |             |                |