

1 2 3 4 5 6 7 8

A

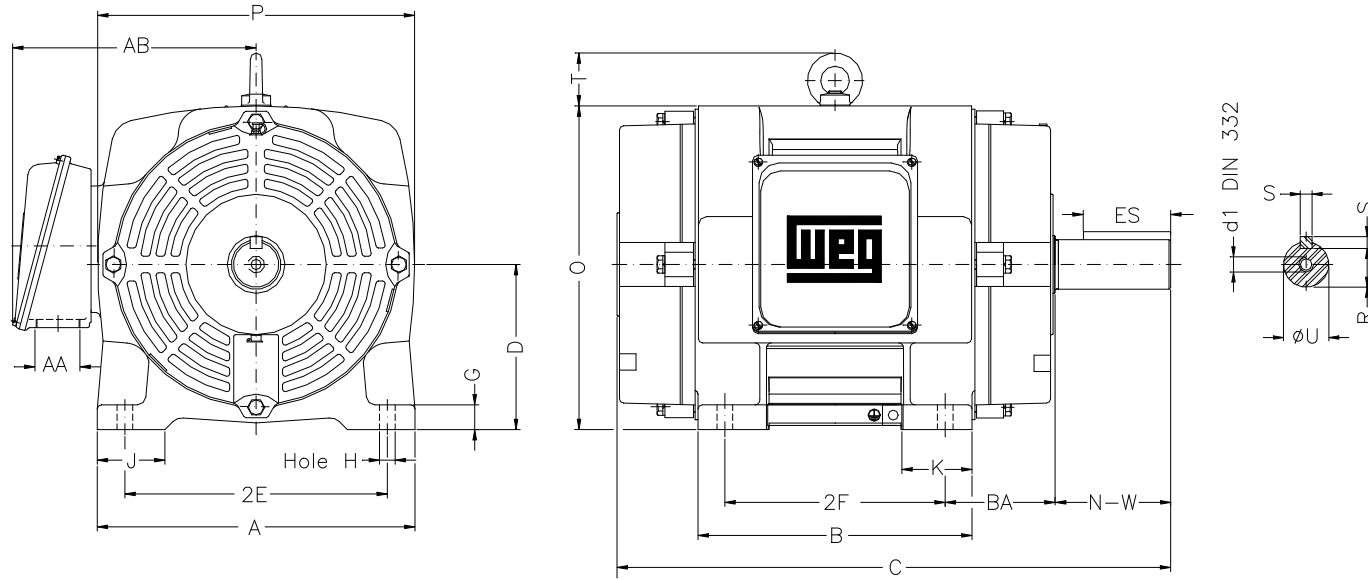
B

C

D

E

F



Notes: Downloaded from <http://dealerselectric.com>
Generated for Model #30018OP3G447/9T

Performed by:

Checked:

Customer:

ODP – Open Induction Motors – High Efficiency

Three-phase induction motor
Frame 447/9T - IP23

29-SEP-2016



2E 18.000	A 21.929	2F 20.000/25.000	B 28.898	BA 7.500
J 3.937	K 10.47	P 22.126	ES 7.087	depth 0.875
S 0.875	D 11.000	N-W 8.500	G 1.811	U 3.375
O 22.441	T 3.543	R 2.880	H 0.807	AB 23.464
C 48.317	AA 2xNPT 3"	d1 DUNC 3/4"-10		