

1 2 3 4 5 6 7 8

A

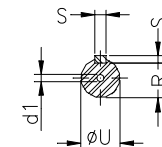
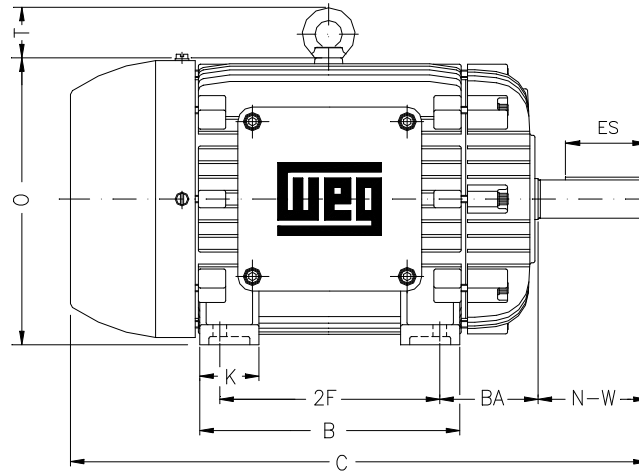
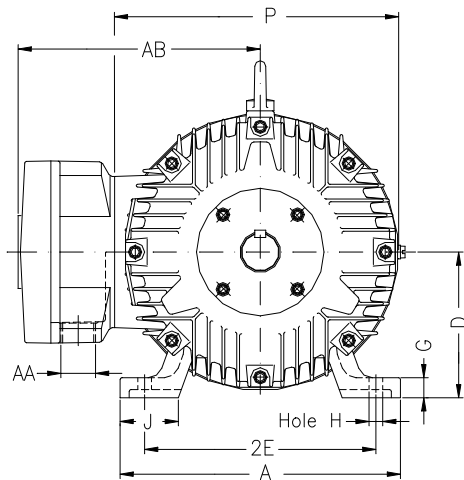
B

C

D

E

F



Notes: Downloaded from <http://dealerselectric.com>
Generated for Model #30012XP3G586/7

Performed by:

Checked:

Customer:

Three-Phase : Explosion Proof - High Efficiency

Three-phase induction motor
Frame 586/7T - IP54

29-SEP-2016



| | | | | |
|----------------|-------------------|---------------------|-------------|----------------|
| 2E 23.000 | A 29.528 | 2F 22.000/25.000 | B 29.921 | BA 10.00 |
| J 5.236 | K 7.874 | P 30.709 | ES 8.661 | depth 1.000 |
| S 1.000 | N-W 11.625 | U 3.875 | R 3.312 | AB 25.787 |
| D 14.500 | G 2.492 | O 30.428 | H 1.181 | C 61.389 |
| AA 2xNPT 3" | d1 DUNC 7/8"-9 | d2 DUNC 3/4"-10 | T 4.291 | |