

1 2 3 4 5 6 7 8

A

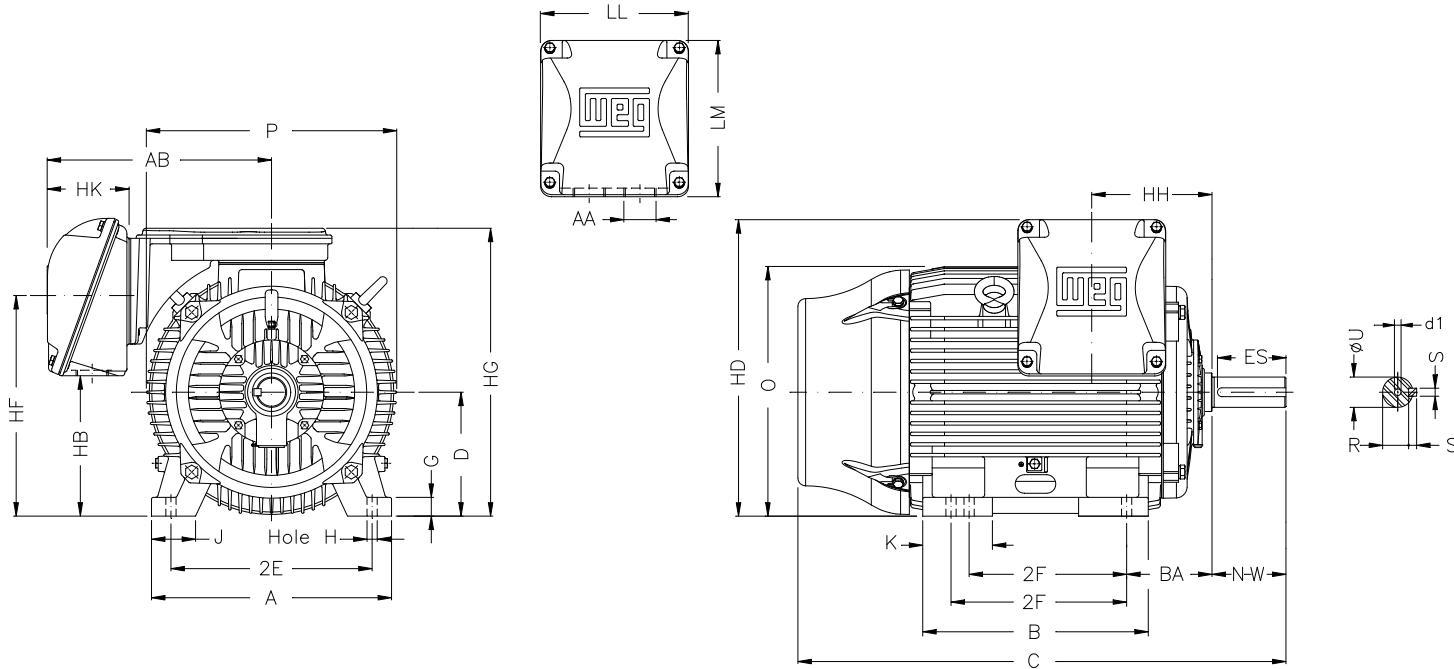
B

C

D

E

F



Notes: Downloaded from <http://dealerselectric.com>
Generated for Model #20018ET3E447T-W22

2E	J	A	P	AB
18.000	3.937	21.929	23.583	20.559
2F	K	B	BA	U
16.500/20.000	7.244	23.897	7.500	3.375
N-W	ES	S	R	depth
8.500	7.087	0.875	2.880	0.875
D	G	HB	O	HD
11.000	1.654	12.488	22.795	27.527
HF	HG	HH	HK	EV
20.724	26.830	11.811	6.929	1.929
H	C	LL	LM	AA
0.810	48.701	14.921	15.039	2xNPT 3"
d1				
DUNC 3/4"-10				

Performed by:	
Checked:	
Customer:	
W22 NEMA Premium - Ball Bearings	
Three-phase induction motor Frame 445/7T - IP55	28-SEP-2016

