

1 2 3 4 5 6 7 8

A

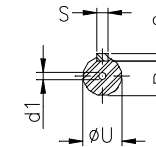
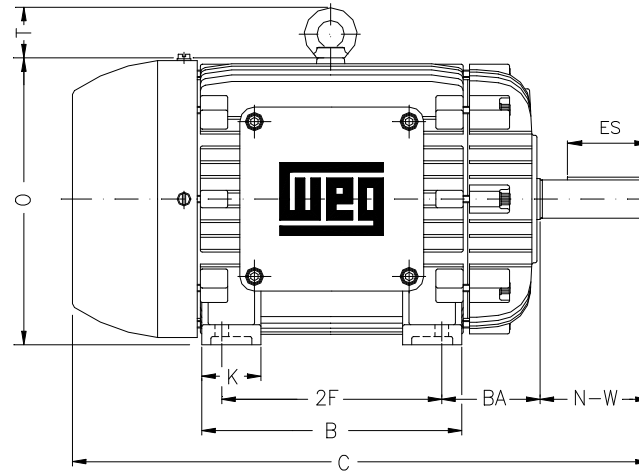
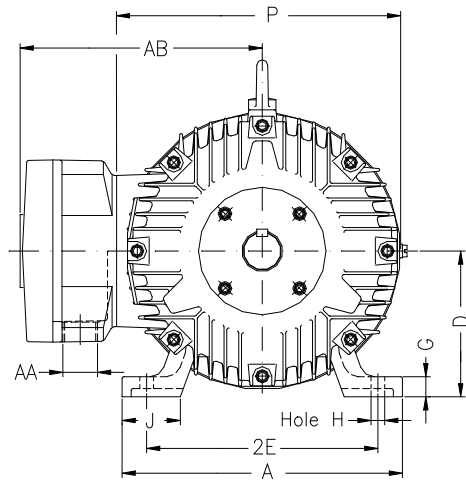
B

C

D

E

F



Notes: Downloaded from <http://dealerselectric.com>
Generated for Model #20012XT3G447T

Performed by:

Checked:

Customer:

Three-Phase : Explosion Proof - NEMA Premium

Three-phase induction motor
Frame 447T - IP55

28-SEP-2016



2E 18.000	A 21.929	2F 20.000	B 23.640	BA 7.500
J 3.937	K 5.591	P 24.016	ES 7.087	depth 0.875
S 0.875	N-W 8.500	U 3.375	R 2.880	AB 20.984
D 11.000	G 1.630	O 23.622	T 3.543	H 0.807
C 47.339	AA 2xNPT 3"	d1 DUNC 3/4"-10	d2 DUNC 3/4"-10	