

1 2 3 4 5 6 7 8

A

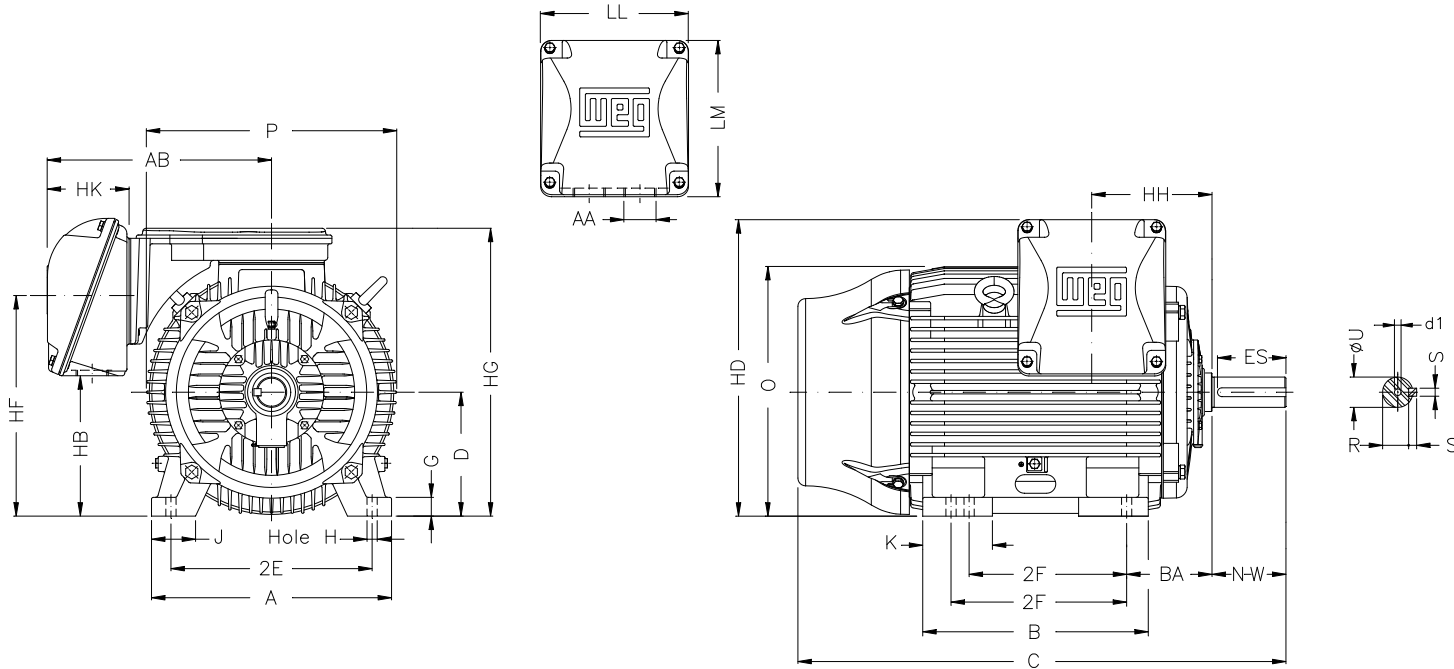
B

C

D

E

F



Notes: Downloaded from <http://dealerselectric.com>  
Generated for Model #20009ST3QIE449T-W22

2E 18.000	J 3.937	A 21.929	P 25.866	AB 23.071
2F 20.000/25.000	K 8.780	B 31.535	BA 7.500	U 3.375
N-W 8.500	ES 7.087	S 0.875	R 2.880	depth 0.875
D 11.000	G 1.630	HB 11.417	O 23.874	HD 28.590
HF 20.551	HG 28.236	HH 11.500	HK 8.464	H 0.810
C 57.181	LL 15.906	LM 17.244	AA 2XNPT 3"	d1 DUNC 3/4"-10
d2 DUNC 3/4"-10				

Performed by:

Checked:

Customer:

Three-Phase: W22 IEEE-841™ Petrochem Motors - NEMA Premium® Efficiency

Three-phase induction motor  
Frame L447/9T - IP55

28-SEP-2016

