

1 2 3 4 5 6 7 8

A

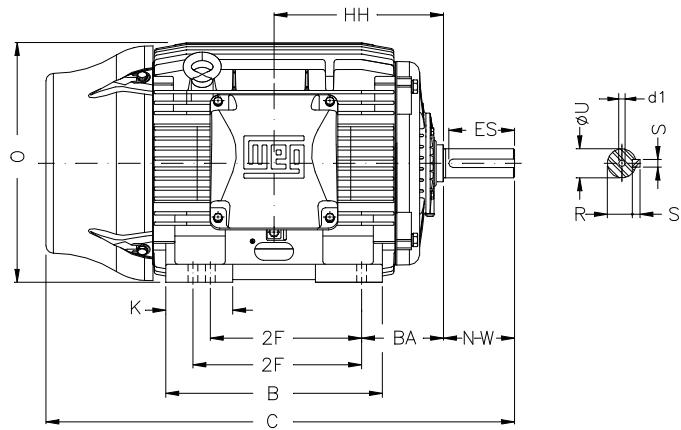
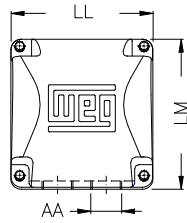
B

C

D

E

F



Notes: Downloaded from <http://dealerselectric.com>
Generated for Model #15018ET3H445T-W22

Performed by:

Checked:

Customer:

W22 NEMA Premium - Ball Bearings

Three-phase induction motor
Frame 444/5T - IP55

28-SEP-2016



| | | | | |
|---------------------|----------------|--------------------|-------------|----------------|
| 2E 18.000 | J 3.937 | A 21.929 | P 23.583 | AB 18.570 |
| 2F 14.500/16.500 | K 5.866 | B 20.315 | BA 7.500 | U 3.375 |
| N-W 8.500 | ES 7.087 | S 0.875 | R 2.880 | depth 0.875 |
| D 11.000 | G 1.630 | HB 5.687 | O 22.795 | HH 15.748 |
| HK 5.970 | EV 1.929 | H 0.810 | C 45.157 | LL 12.362 |
| LM 12.283 | AA 2xNPT 3" | d1 DUNC 3/4"-10 | | |