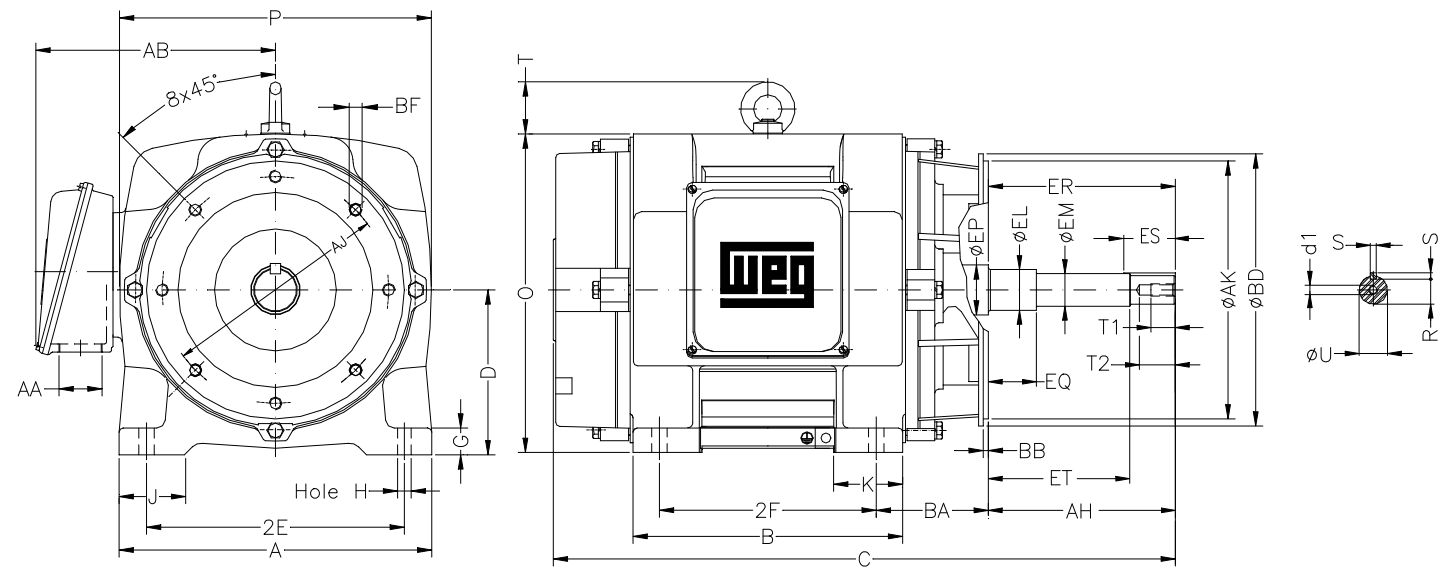


1 2 3 4 5 6 7 8

A
B
C
D
E
F



Notes: Downloaded from <http://dealerselectric.com>
Generated for Model #12518OP3G405JP

| | | | | |
|--------------|--------------|---------------------|------------------|--------------------|
| 2E 16.000 | A 19.950 | 2F 12.244/13.740 | B 17.700 | J 3.950 |
| BA 6.625 | D 10.000 | K 5.440 | G 1.968 | O 19.409 |
| P 17.874 | T 2.800 | H 0.807 | AA NPT 3" | ER 8.130 |
| EQ 2.382 | ET 5.886 | U 1.624 | EM 1.750 | EL 2.125 |
| S 0.375 | EP 2.754 | R 1.413 | ES 2.480 | d1 EUNC 1/2"-13 |
| t1 0.984 | t2 1.496 | C 35.263 | Flange FC-279 | AJ 11.000 |
| AK 12.500 | BD 14.960 | BF UNC 5/8"x11 | BB 0.250 | AH 8.130 |

| | |
|---|--|
| Performed by: | Close Coupled Pump : Three-Phase - "JP" Type - ODP - High Efficiency |
| Checked: | |
| Customer: | |
| Three-phase induction motor Frame 405JP - IP23 | |
| 28-SEP-2016 | |