

1 2 3 4 5 6 7 8

A

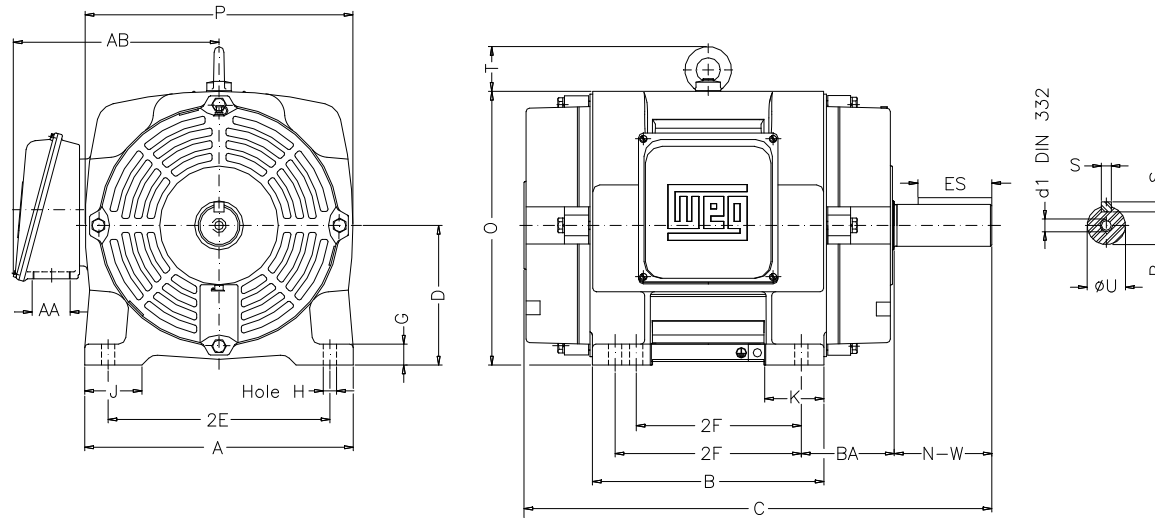
B

C

D

E

F



Notes: Downloaded from <http://dealerselectric.com>
Generated for Model #100180T3E404T-G

Performed by:

Checked:

Customer:

ODP General Purpose

Three-phase induction motor
Frame 404T - IP23

28-SEP-2016



2E 16.000	A 19.950	2F 12.250/13.750	B 17.700	BA 6.625
J 3.950	K 5.440	P 17.874	ES 5.512	depth 0.750
S 0.750	D 10.000	N-W 7.250	G 1.968	U 2.875
O 19.409	T 2.800	R 2.449	H 0.810	AB 16.378
C 34.133	AA NPT 3"	d1 DUNC 3/4"-10		