

1 2 3 4 5 6 7 8

A

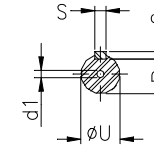
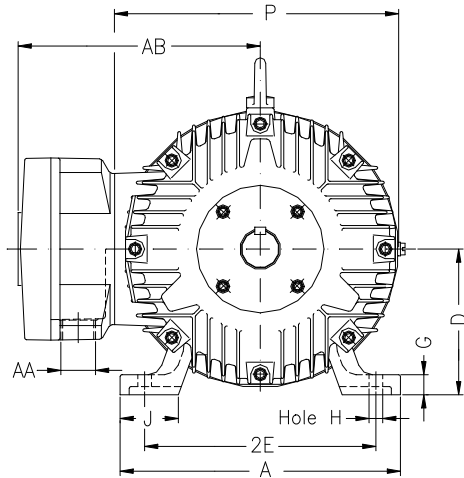
B

C

D

E

F



Notes: Downloaded from <http://dealerselectric.com>  
Generated for Model #07536XT3E365TS

Performed by:

Checked:

Customer:

Three-Phase : Explosion Proof - NEMA Premium

Three-phase induction motor  
Frame 364/5TS - IP55

27-SEP-2016



2E 14.000	A 17.165	2F 11.250/12.250	B 15.394	BA 5.875
J 3.150	K 4.134	P 18.583	ES 1.968	depth 0.500
S 0.500	N-W 3.748	U 1.875	R 1.591	AB 16.654
D 9.000	G 1.480	O 18.898	T 2.795	H 0.657
C 31.575	AA NPT 3"	d1 DUNC 3/4"-10	d2 DUNC 3/4"-10	