

1 2 3 4 5 6 7 8

A

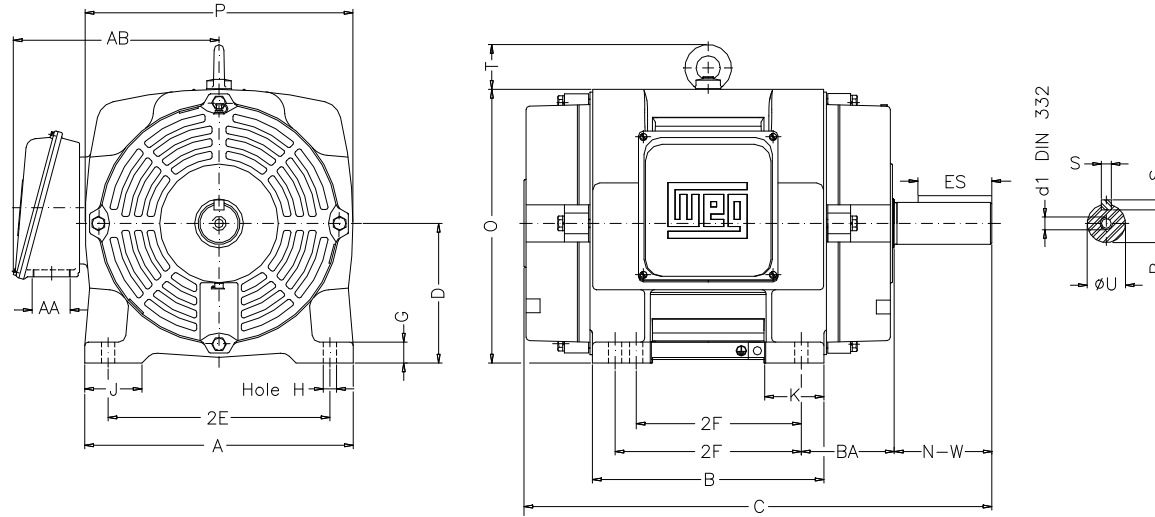
B

C

D

E

F



Notes: Downloaded from <http://dealerselectric.com>
Generated for Model #07518OT3E365T-G

Performed by:

Checked:

Customer:

ODP General Purpose

Three-phase induction motor
Frame 365T - IP23

27-SEP-2016



2E 14.000	A 17.170	2F 11.250/12.250	B 15.400	BA 5.875
J 3.150	K 4.140	P 17.874	ES 4.330	depth 0.625
S 0.625	D 9.000	N-W 5.874	G 1.480	U 2.375
O 18.425	T 2.795	R 2.019	H 0.657	AB 16.378
C 29.764	AA NPT 3"	d1 DUNC 3/4"-10		