

1 2 3 4 5 6 7 8

A

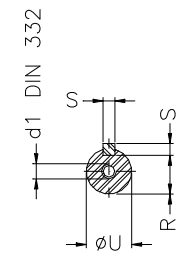
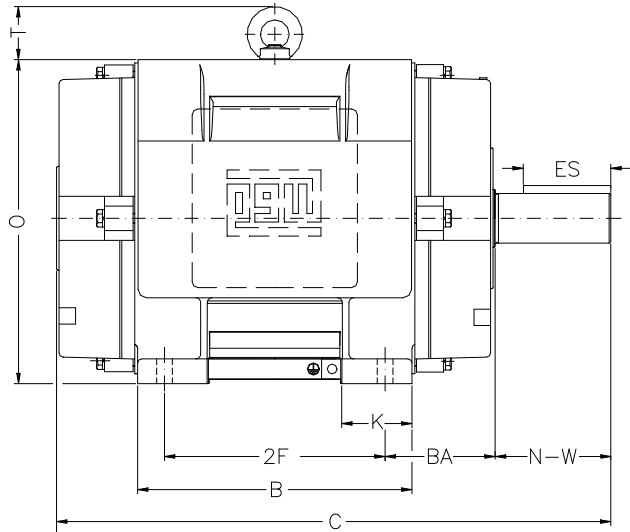
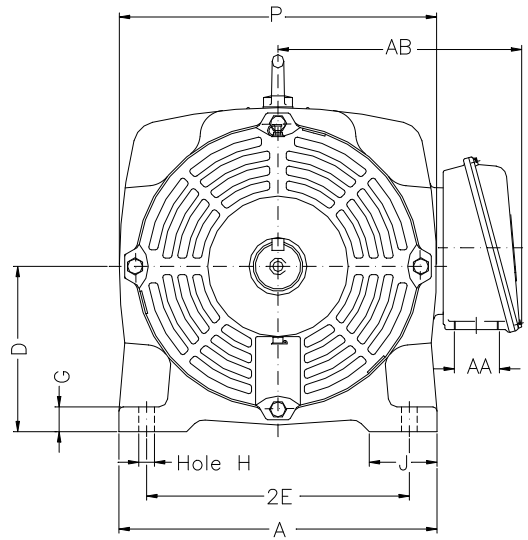
B

C

D

E

F



Notes: Downloaded from <http://dealerselectric.com>  
Generated for Model #07512OS3EOW445T

Performed by:

Checked:

Customer:

Oil Well Pumping : High Slip - NEMA Design "D" - ODP

Three-phase induction motor  
Frame 445T - IP23

27-SEP-2016



2E 18.000	A 21.929	2F 14.500/16.500	B 20.078	BA 7.500
J 3.937	K 5.590	P 22.125	ES 7.087	depth 0.875
S 0.875	N-W 8.500	U 3.375	R 2.880	AB 20.236
D 11.000	G 1.811	O 22.440	T 3.544	H 0.807
C 39.803	AA 2xNPT 3"	d1 DUNC 3/4"-10	d2 DUNC 3/4"-10	