

1 2 3 4 5 6 7 8

A

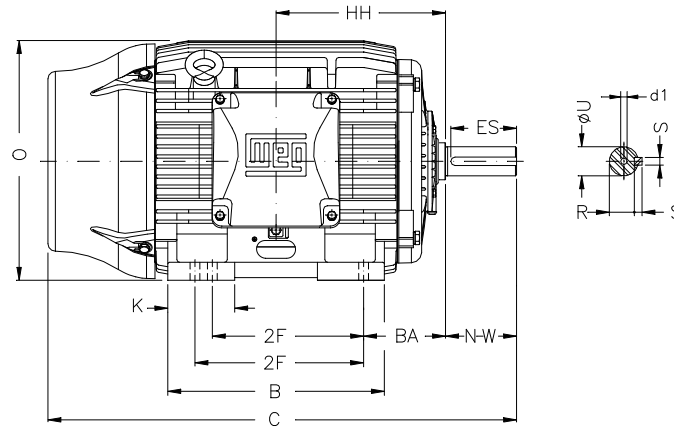
B

C

D

E

F



Notes: Downloaded from <http://dealerselectric.com>
Generated for Model #06036ET3E364TS-W22

Performed by:

Checked:

Customer:

W22 NEMA Premium - Ball Bearings

Three-phase induction motor
Frame 364/5TS - IP55

27-SEP-2016



| | | | | |
|---------------------|--------------|--------------|--------------------|---------------|
| 2E 14.016 | J 3.150 | A 17.165 | P 17.914 | AB 16.016 |
| 2F 11.260/12.244 | K 4.138 | B 16.220 | BA 5.875 | FBA 11.708 |
| U 1.875 | N-W 3.748 | ES 1.968 | S 0.500 | R 1.591 |
| depth 0.500 | D 9.000 | G 1.480 | HB 4.251 | O 17.957 |
| HH 11.988 | HK 6.024 | EV 1.634 | H 0.660 | C 32.338 |
| LL 10.591 | LM 11.267 | AA NPT 3" | d1 DUNC 3/4"-10 | |