

1 2 3 4 5 6 7 8

A

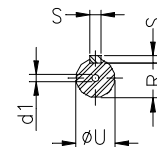
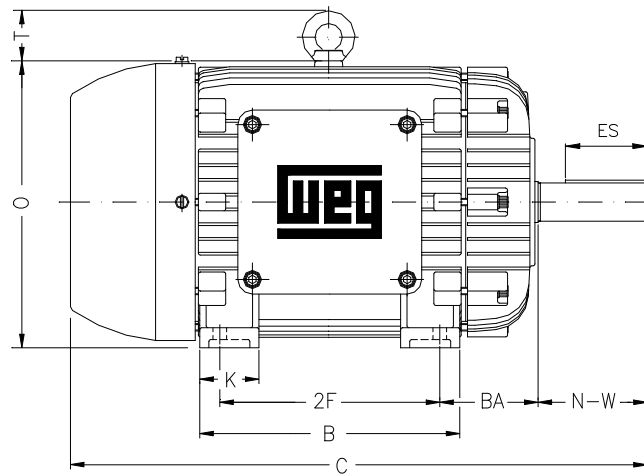
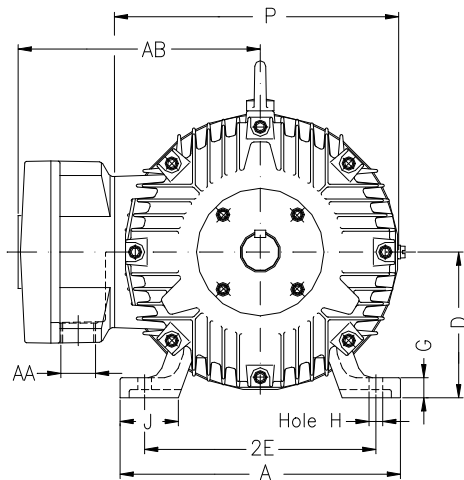
B

C

D

E

F



Notes: Downloaded from <http://dealerselectric.com>
Generated for Model #06009XP3E405T

Performed by:

Checked:

Customer:

Three-Phase : Explosion Proof - High Efficiency

Three-phase induction motor
Frame 405T - IP54

27-SEP-2016



| | | | | |
|--------------|--------------------|---------------------|-------------|----------------|
| 2E 16.000 | A 19.921 | 2F 12.250/13.752 | B 17.520 | BA 6.625 |
| J 3.937 | K 5.433 | P 18.583 | ES 5.512 | depth 0.750 |
| S 0.750 | N-W 7.250 | U 2.875 | R 2.449 | AB 16.654 |
| D 10.000 | G 1.812 | O 19.843 | H 0.807 | C 38.074 |
| AA NPT 3" | d1 DUNC 3/4"-10 | d2 DUNC 3/4"-10 | T 2.795 | |