

1 2 3 4 5 6 7 8

A

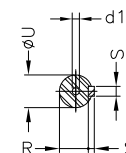
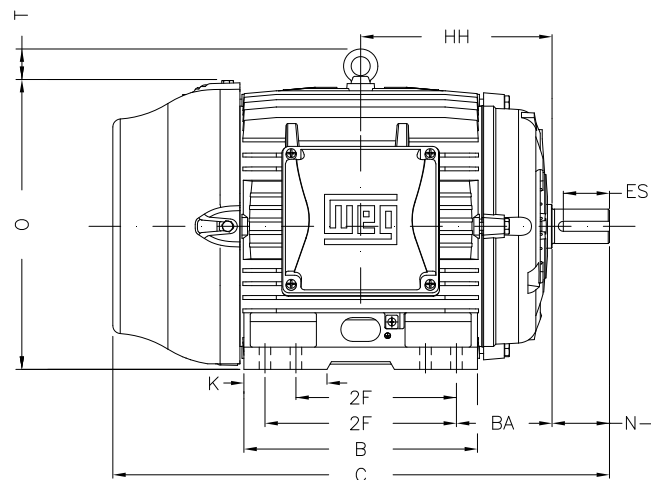
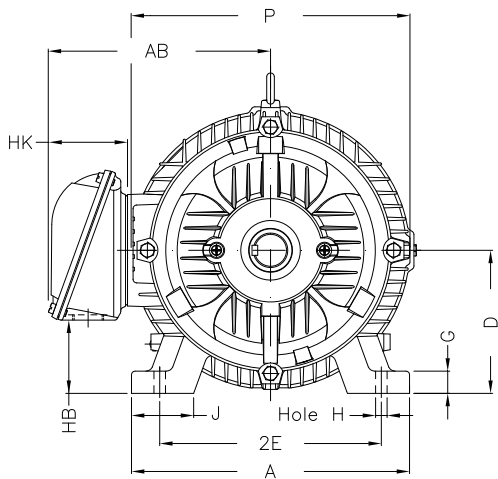
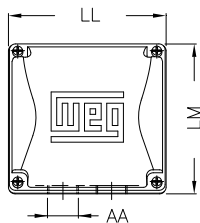
B

C

D

E

F



Notes: Downloaded from <http://dealerselectric.com>
Generated for Model #05036ST3HIE326TS-W22

Performed by:

Checked:

Customer:

Three-Phase: W22 IEEE-841™ Petrochem Motors - NEMA Premium® Efficiency

Three-phase induction motor
Frame 324/6TS - IP55

27-SEP-2016



| | | | | |
|---------------------|--------------|--------------|-------------|----------------|
| 2E 12.500 | J 3.189 | A 15.157 | P 15.827 | AB 12.575 |
| 2F 10.500/12.000 | K 4.055 | B 14.567 | BA 5.250 | U 1.875 |
| N-W 3.750 | ES 2.205 | S 0.500 | R 1.594 | depth 0.500 |
| D 8.000 | G 1.300 | HB 4.811 | O 15.953 | T 2.441 |
| HF 8.708 | HH 11.250 | HK 4.705 | H 0.657 | C 29.616 |
| LL 9.055 | LM 8.661 | AA NPT 2" | d1 A 4 | d2 A 4 |