

1 2 3 4 5 6 7 8

A

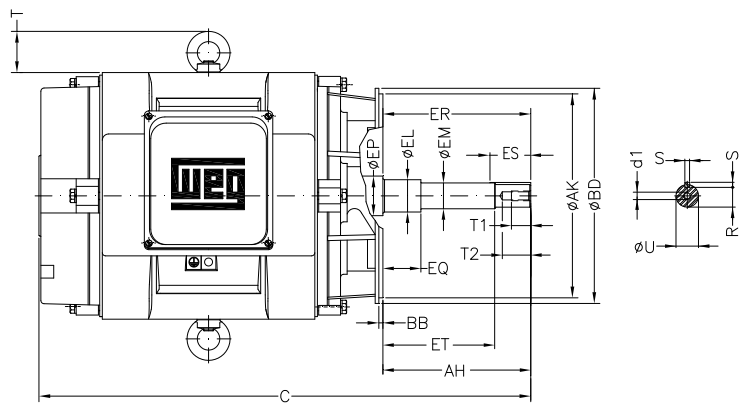
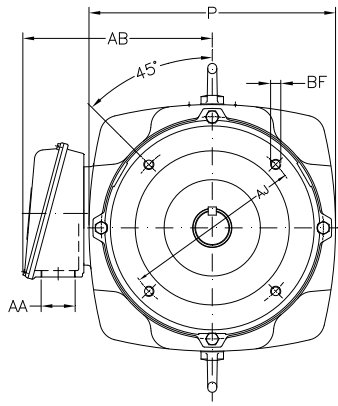
B

C

D

E

F



Notes: Downloaded from <http://dealerselectric.com>
Generated for Model #05036OP3H324JPV

Performed by:

Checked:

Customer:

Close Coupled Pump : Three-Phase - "JP" Type - ODP - High Efficiency

P	AB	AA	ER	EQ
15.118	11.496	NPT 2"	8.130	2.382
ET	U	EM	EL	S
5.886	1.249	1.375	1.750	0.250
EP	R	ES	d1	t1
2.360	1.110	2.480	EUNC 1/2"-13	0.984
t2	C	Flange	AJ	AK
1.496	29.311	FC-279	11.000	12.500
BD	BF	BB	AH	
13.189	UNC 5/8"x11	0.250	8.130	

Three-phase induction motor
Frame 324JP - IP23

24-SEP-2016

