

1 2 3 4 5 6 7 8

A

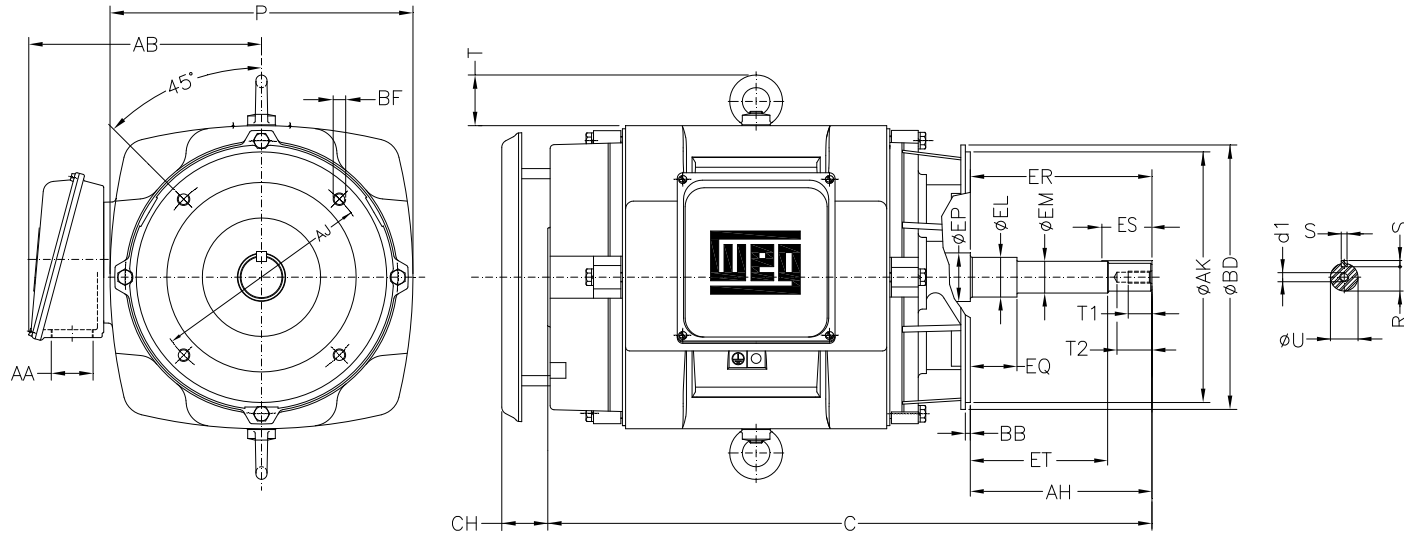
B

C

D

E

F



Notes: Downloaded from <http://dealerselectric.com>
Generated for Model #05036OP3E324JMV

Performed by:

Checked:

Customer:

Close Coupled Pump : Three-Phase - "JM" Type - ODP - High Efficiency -

P	AB	AA	ER	EQ
15.118	11.496	NPT 2"	5.250	0.630
ET	U	EM	EL	S
3.006	1.249	1.375	1.750	0.250
EP	R	ES	d1	t1
2.360	1.110	2.480	EUNC 1/2"-13	0.984
t2	C	Flange	AJ	AK
1.496	26.431	FC-279	11.000	12.500
BD	BF	BB	AH	
13.189	UNC 5/8"x11	0.250	5.250	

Three-phase induction motor
Frame 324JM - IP23

23-SEP-2016

