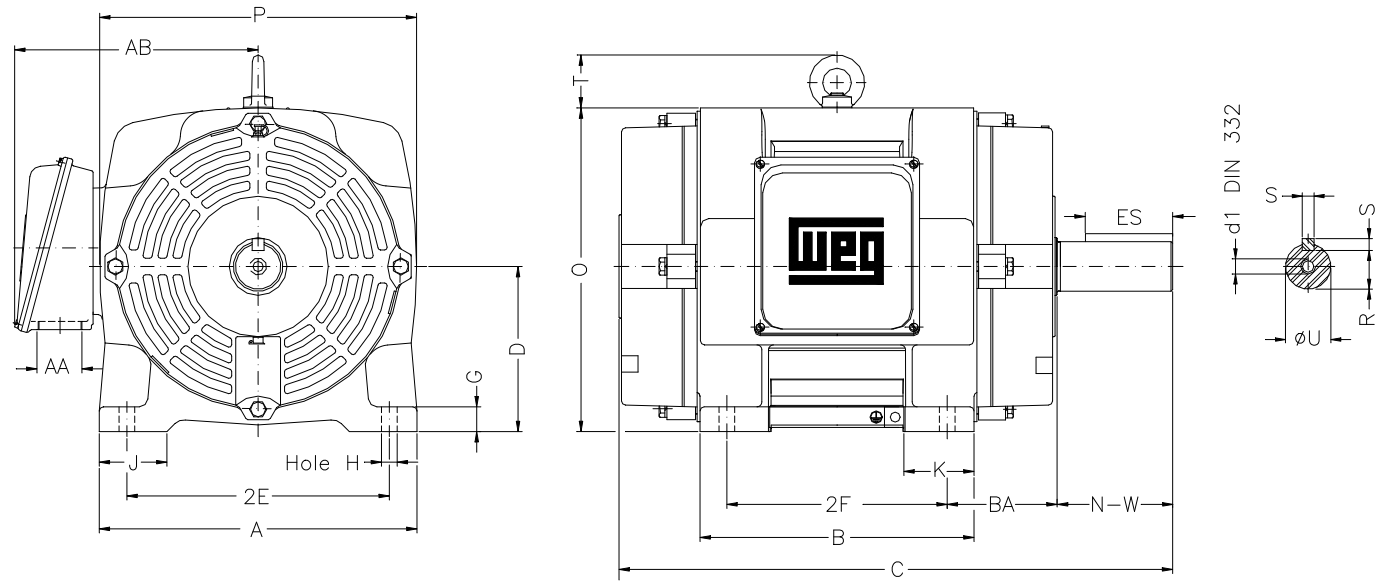


1 2 3 4 5 6 7 8

A
B
C
D
E
F



Notes: Downloaded from <http://dealerselectric.com>
Generated for Model #05018OT3H326T

Performed by:

Checked:

Customer:

ODP – Open Induction Motors – NEMA Premium Efficiency

2E 12.500	J 3.230	A 15.160	P 15.118	AB 11.496
2F 12.000	K 3.350	B 14.566	BA 5.250	U 2.125
d1 A 4	N-W 5.250	ES 3.937	S 0.500	R 1.844
depth 0.500	D 8.000	G 1.299	O 15.551	T 2.559
H 0.656	C 27.667	AA NPT 2"		

Three-phase induction motor
Frame 326T - IP23

23-SEP-2016

