

1 2 3 4 5 6 7 8

A

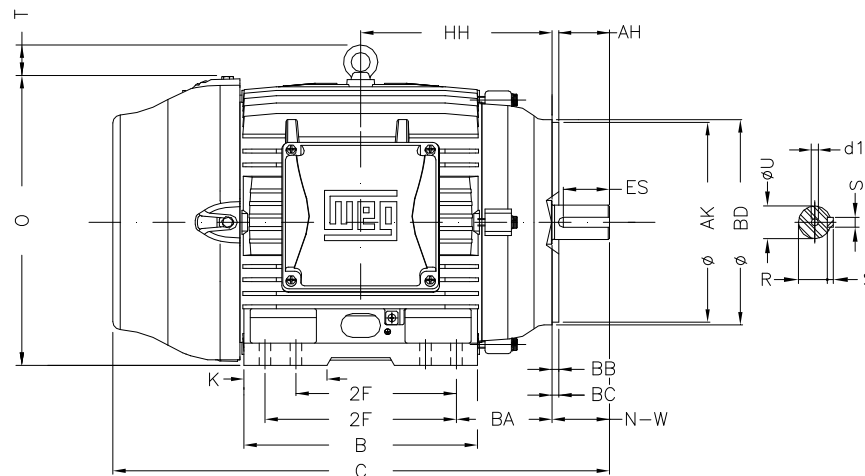
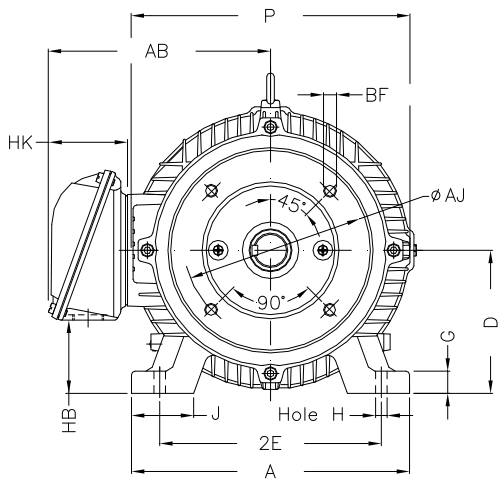
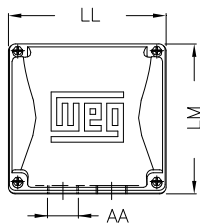
B

C

D

E

F



Notes: Downloaded from <http://dealerselectric.com>
Generated for Model #05018ET3E326TC-W22

Performed by:

Checked:

Customer:

W22 NEMA Premium - Ball Bearings

Three-phase induction motor
Frame 324/6T - IP55

23-SEP-2016



2E	J	A	P	AB
12.500	3.189	15.157	15.827	12.575
2F	K	B	BA	FBA
10.500/12.000	4.055	14.567	5.250	8.738
U	N-W	ES	S	R
2.125	5.250	3.937	0.500	1.844
depth	D	G	HB	O
0.500	8.000	1.300	4.811	15.953
T	HF	HH	HK	H
2.441	8.708	11.250	4.705	0.657
C	FC	LL	LM	AA
31.116	35.860	9.055	8.661	NPT 2"
d1	Flange	AJ	AK	BD
A 4	FC-279	11.000	12.500	13.580
BF	BB	BC	AH	
UNC 5/8"x11	0.250	0.250	5.000	