

1 2 3 4 5 6 7 8

A

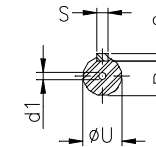
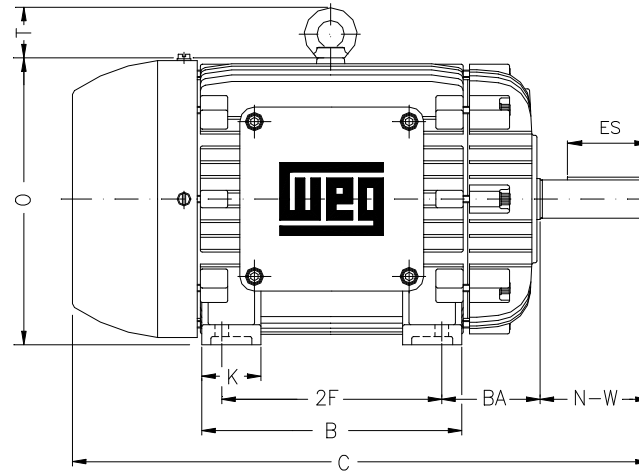
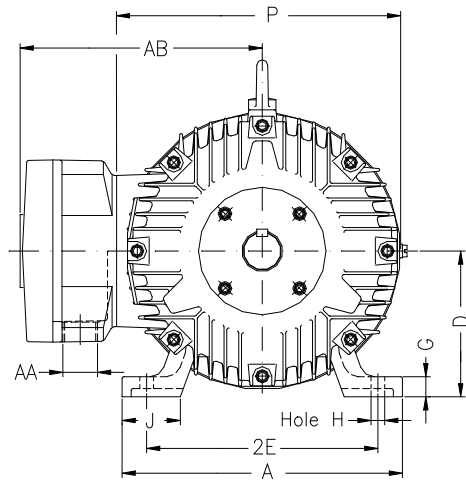
B

C

D

E

F



Notes: Downloaded from <http://dealerselectric.com>
Generated for Model #05009XP3E404T

Performed by:

Checked:

Customer:

Three-Phase : Explosion Proof - High Efficiency

Three-phase induction motor
Frame 404T - IP54

23-SEP-2016



2E 16.000	A 19.921	2F 12.250/13.752	B 17.520	BA 6.625
J 3.937	K 5.433	P 18.583	ES 5.512	depth 0.750
S 0.750	N-W 7.250	U 2.875	R 2.449	AB 16.654
D 10.000	G 1.812	O 19.843	H 0.807	C 38.074
AA NPT 3"	d1 DUNC 3/4"-10	d2 DUNC 3/4"-10	T 2.795	