

1 2 3 4 5 6 7 8

A

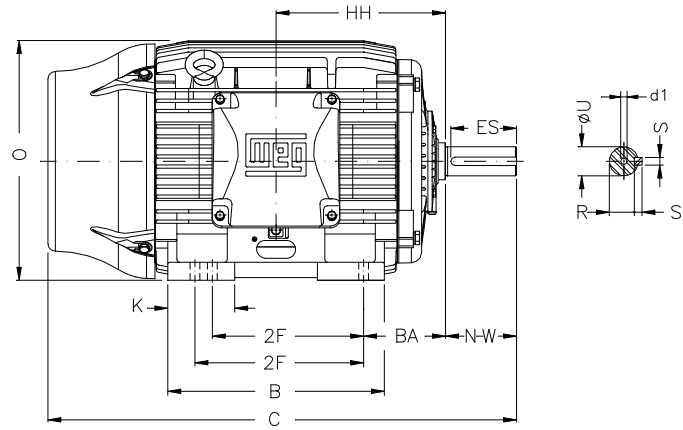
B

C

D

E

F



Notes: Downloaded from <http://dealerselectric.com>  
Generated for Model #05009ST3QIE404T-W22

Performed by:

Checked:

Customer:

Three-Phase: W22 IEEE-841™ Petrochem Motors - NEMA Premium® Efficiency

Three-phase induction motor  
Frame 404/5T - IP55

23-SEP-2016



|                     |                    |                    |              |                |
|---------------------|--------------------|--------------------|--------------|----------------|
| 2E<br>15.984        | J<br>3.937         | A<br>19.921        | P<br>19.134  | AB<br>16.016   |
| 2F<br>12.244/13.740 | K<br>5.669         | B<br>18.386        | BA<br>6.625  | U<br>2.875     |
| N-W<br>7.250        | ES<br>5.708        | S<br>0.750         | R<br>2.449   | depth<br>0.750 |
| D<br>10.000         | G<br>1.811         | HB<br>5.252        | O<br>19.566  | HH<br>13.496   |
| HK<br>6.024         | H<br>0.810         | C<br>39.730        | LL<br>10.591 | LM<br>11.267   |
| AA<br>NPT 3"        | d1<br>DUNC 3/4"-10 | d2<br>DUNC 3/4"-10 |              |                |