

1 2 3 4 5 6 7 8

A

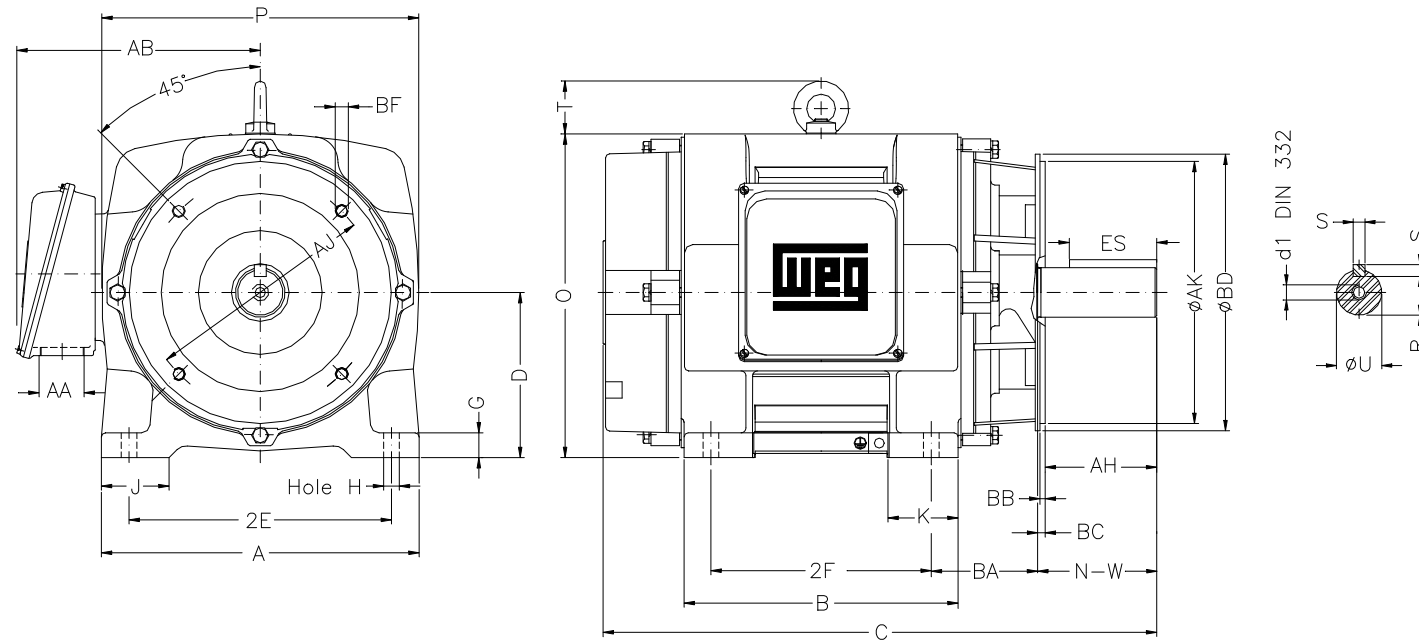
B

C

D

E

F



Notes: Downloaded from <http://dealerselectric.com>  
Generated for Model #04036OP3EFP286TSC

|              |                  |                   |                  |                |
|--------------|------------------|-------------------|------------------|----------------|
| 2E<br>11.000 | A<br>13.780      | 2F<br>11.000      | B<br>13.070      | BA<br>4.750    |
| J<br>3.150   | K<br>2.960       | P<br>13.700       | ES<br>2.480      | depth<br>0.375 |
| S<br>0.375   | D<br>7.000       | N-W<br>3.250      | G<br>1.102       | U<br>1.625     |
| O<br>13.858  | T<br>2.165       | R<br>1.416        | H<br>0.531       | AB<br>10.886   |
| C<br>23.504  | AA<br>NPT 1 1/2" | d1<br>A 4         | Flange<br>FC-228 | AJ<br>9.000    |
| AK<br>10.500 | BD<br>11.031     | BF<br>UNC 1/2"x13 | BB<br>0.250      | BC<br>0.250    |
| AH<br>3.000  |                  |                   |                  |                |

Performed by:

Checked:

Customer:

Fire Pump Motors - ODP Three Phase - Foot Mount and Flange Mount

Three-phase induction motor  
Frame 286TS - IP23

23-SEP-2016

