

1 2 3 4 5 6 7 8

A

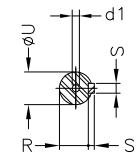
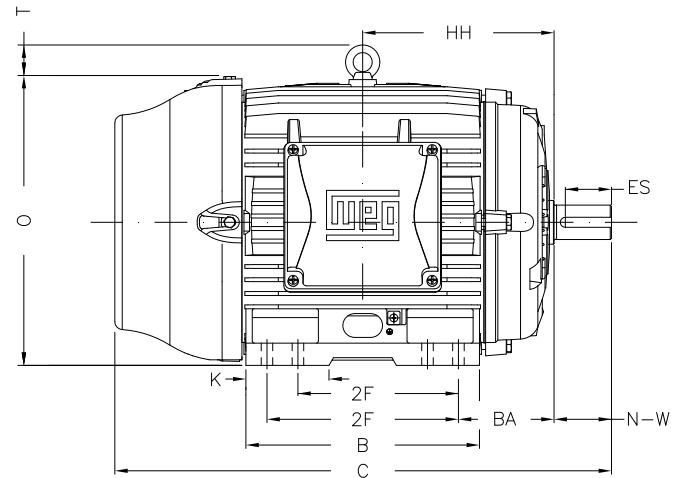
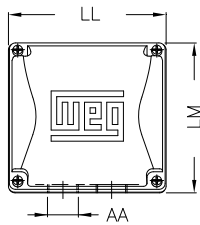
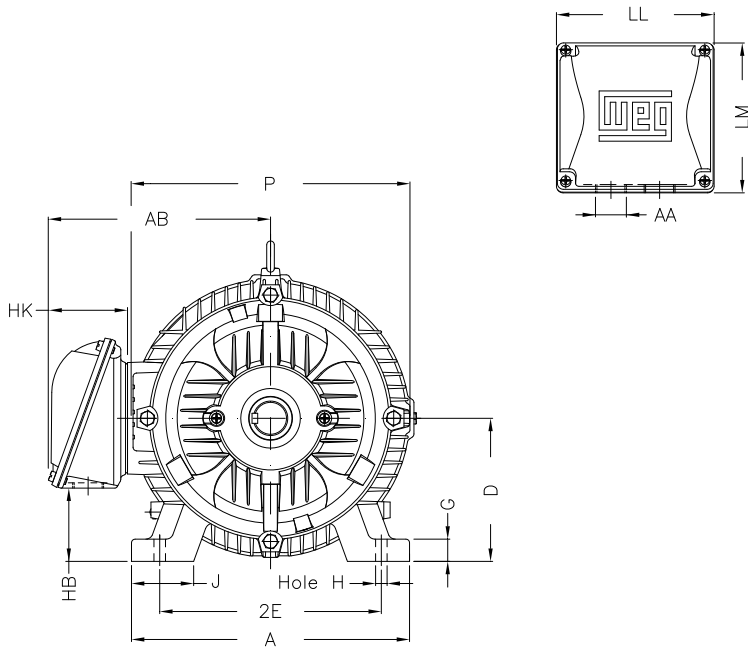
B

C

D

E

F



Notes: Downloaded from <http://dealerselectric.com>
Generated for Model #04036ET3E324TS-W22

Performed by:

Checked:

Customer:

W22 NEMA Premium - Ball Bearings

Three-phase induction motor
Frame 324/6TS - IP55

23-SEP-2016



| | | | | |
|---------------------|--------------|--------------|--------------|--------------|
| 2E 12.500 | J 3.189 | A 15.157 | P 15.827 | AB 12.575 |
| 2F 10.500/12.000 | K 4.055 | B 14.567 | BA 5.250 | FBA 8.738 |
| U 1.875 | N-W 3.750 | ES 2.756 | S 0.500 | R 1.594 |
| depth 0.500 | D 8.000 | G 1.300 | HB 4.811 | O 15.953 |
| T 2.441 | HF 8.708 | HH 11.250 | HK 4.705 | H 0.657 |
| C 29.616 | LL 9.055 | LM 8.661 | AA NPT 2" | d1 A 4 |