

1 2 3 4 5 6 7 8

A

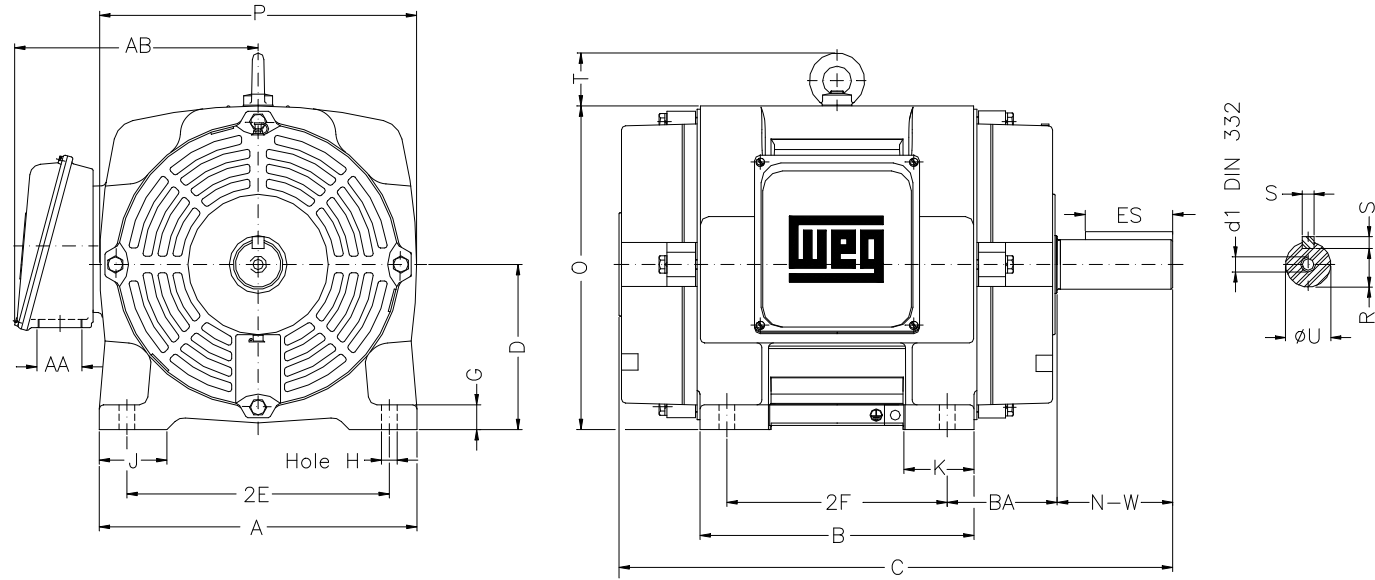
B

C

D

E

F



Notes: Downloaded from <http://dealerselectric.com>  
Generated for Model #040180T3E324T-G

Performed by:

Checked:

Customer:

ODP General Purpose

2E 12.500	A 15.160	2F 10.500	B 13.070	BA 5.250
J 3.230	K 3.350	P 15.118	ES 3.937	depth 0.500
S 0.500	D 8.000	N-W 5.250	G 1.299	U 2.125
O 15.551	T 2.559	R 1.844	H 0.656	AB 11.496
C 26.181	AA NPT 2"	d1 A 4		

Three-phase induction motor  
Frame 324T - IP23

23-SEP-2016

