

1 2 3 4 5 6 7 8

A

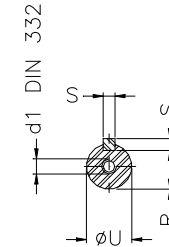
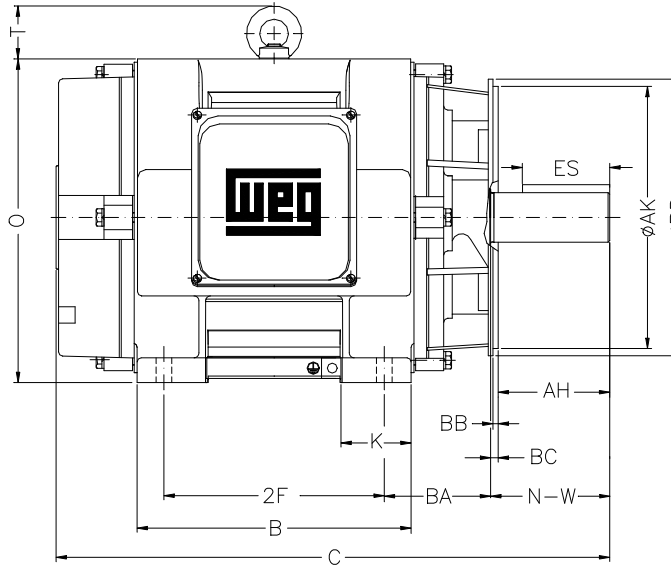
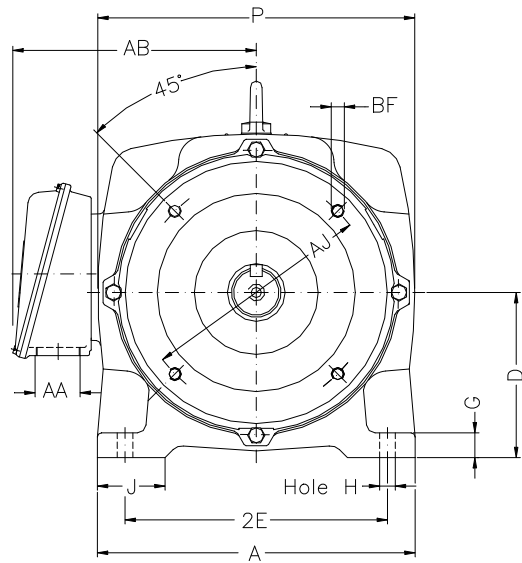
B

C

D

E

F



Notes: Downloaded from <http://dealerselectric.com>  
Generated for Model #04018OP3EFP324TC

|              |              |                   |                  |                |
|--------------|--------------|-------------------|------------------|----------------|
| 2E<br>12.500 | A<br>15.160  | 2F<br>10.500      | B<br>13.070      | BA<br>5.250    |
| J<br>3.230   | K<br>3.350   | P<br>15.118       | ES<br>3.937      | depth<br>0.500 |
| S<br>0.500   | D<br>8.000   | N-W<br>5.250      | G<br>1.299       | U<br>2.125     |
| O<br>15.551  | T<br>2.559   | R<br>1.844        | H<br>0.656       | AB<br>11.496   |
| C<br>26.181  | AA<br>NPT 2" | d1<br>A 4         | Flange<br>FC-279 | AJ<br>11.000   |
| AK<br>12.500 | BD<br>15.562 | BF<br>UNC 5/8"x11 | BB<br>0.250      | BC<br>0.250    |
| AH<br>5.000  |              |                   |                  |                |

|  |             |
|--|-------------|
| Performed by:  |             |
| Checked:   |             |
| Customer:  |             |
| Fire Pump Motors - ODP Three Phase - Foot Mount and Flange Mount |             |
| Three-phase induction motor<br>Frame 324T - IP23                 | 23-SEP-2016 |

