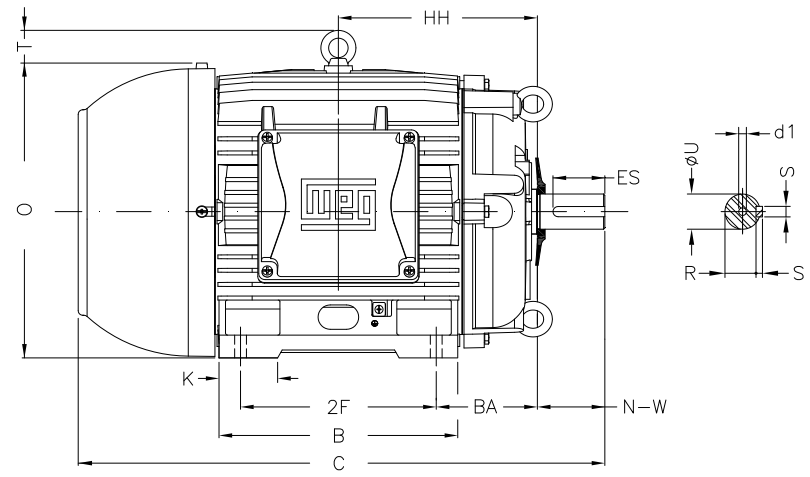
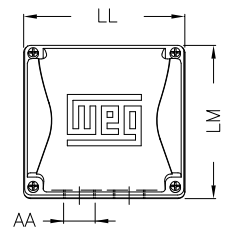
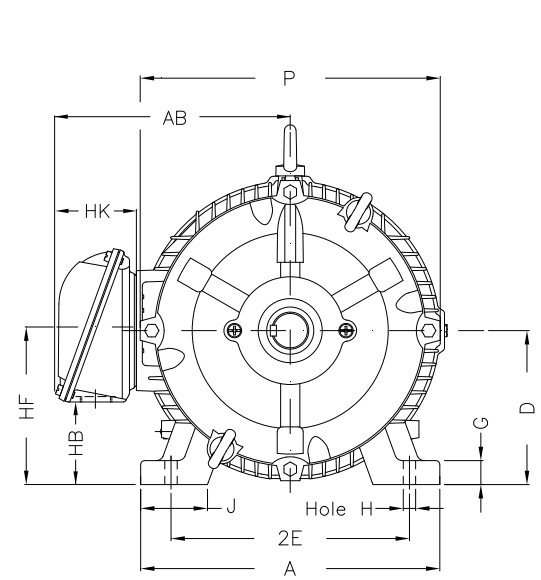


1 2 3 4 5 6 7 8

A
B
C
D
E
F



Notes: Downloaded from <http://dealerselectric.com>
Generated for Model #04018ET3HCT324TF1-W2

Performed by:

Checked:

Customer:

W22 Cooling Tower Motors: NEMA Premium - TEFC

Three-phase induction motor
Frame 324T - IP55

23-SEP-2016



| | | | | |
|--------------|--------------|--------------|-------------|----------------|
| 2E 12.500 | J 3.189 | A 15.157 | P 14.961 | AB 12.575 |
| 2F 10.500 | K 4.055 | B 13.071 | BA 5.250 | U 2.125 |
| N-W 5.250 | ES 3.937 | S 0.500 | R 1.844 | depth 0.500 |
| D 8.000 | G 1.300 | HB 4.811 | O 15.953 | T 2.441 |
| HF 8.708 | HH 10.500 | HK 4.705 | H 0.657 | C 29.620 |
| LL 9.055 | LM 8.661 | AA NPT 2" | d1 A 4 | d2 A 4 |