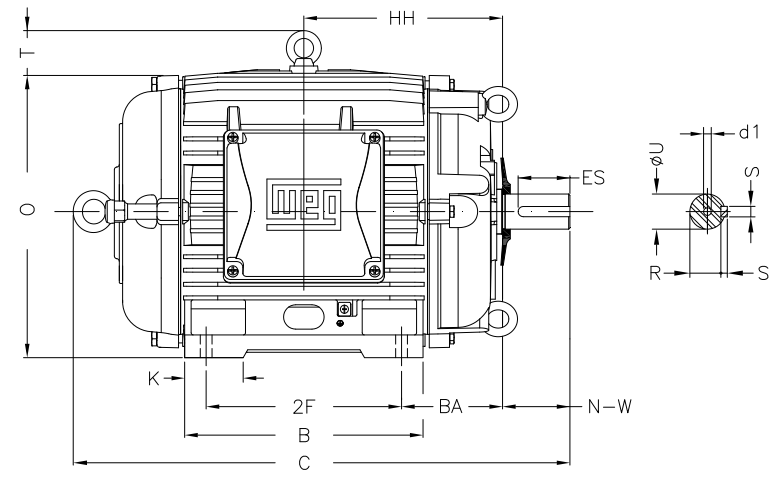
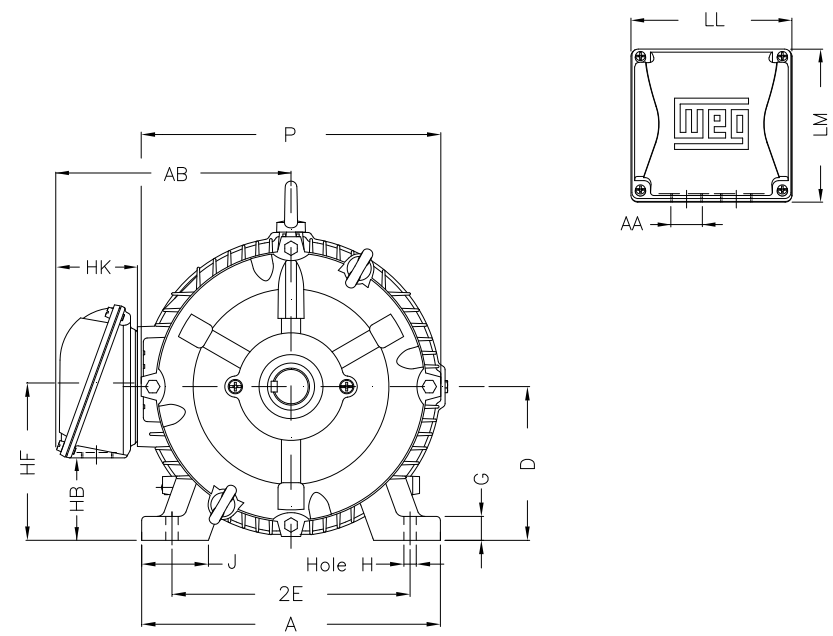


1 2 3 4 5 6 7 8

A
B
C
D
E
F



Notes: Downloaded from <http://dealerselectric.com>
Generated for Model #04018AT3HCT324TF1-W2

Performed by:

Checked:

Customer:

W22 Cooling Tower Motors: NEMA Premium - TEAO

2E 12.500	J 3.189	A 15.157	P 14.961	AB 12.575
2F 10.500	K 4.055	B 13.071	BA 5.250	U 2.125
N-W 5.250	ES 3.937	S 0.500	R 1.844	depth 0.500
D 8.000	G 1.300	HB 4.811	O 15.953	T 2.441
HF 8.708	HH 10.500	HK 4.705	H 0.657	C 28.575
LL 9.055	LM 8.661	AA NPT 2"	d1 A 4	

Three-phase induction motor
Frame 324T - IP55

23-SEP-2016

