

1 2 3 4 5 6 7 8

A

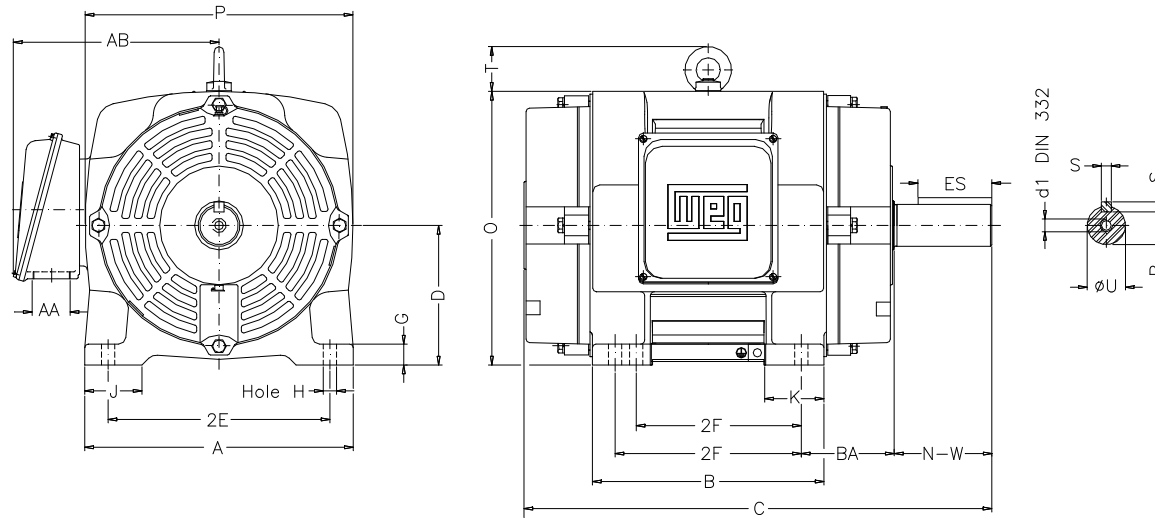
B

C

D

E

F



Notes: Downloaded from <http://dealerselectric.com>
Generated for Model #040120T3E364T

Performed by:

Checked:

Customer:

ODP – Open Induction Motors – NEMA Premium Efficiency

2E 14.000	J 3.150	A 17.170	P 17.874	AB 16.378
2F 11.250/12.250	K 4.140	B 15.400	BA 5.875	U 2.375
d1 DUNC 3/4"-10	N-W 5.874	ES 4.330	S 0.625	R 2.019
depth 0.625	D 9.000	G 1.480	O 18.425	T 2.795
H 0.657	C 29.764	AA NPT 3"		

Three-phase induction motor
Frame 364/5T - IP23

23-SEP-2016

