

1 2 3 4 5 6 7 8

A

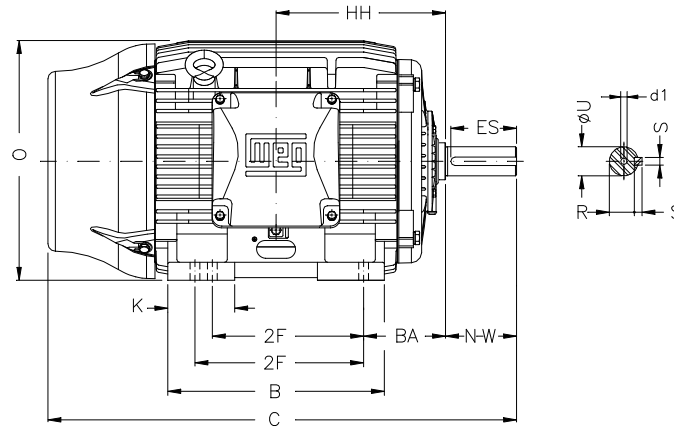
B

C

D

E

F



Notes: Downloaded from <http://dealerselectric.com>
Generated for Model #04009ST3QIE365T-W22

Performed by:

Checked:

Customer:

Three-Phase: W22 IEEE-841™ Petrochem Motors - NEMA Premium® Efficiency

Three-phase induction motor
Frame 364/5T - IP55

23-SEP-2016



| | | | | |
|---------------------|--------------------|--------------------|--------------|----------------|
| 2E 14.016 | J 3.150 | A 17.165 | P 17.914 | AB 16.016 |
| 2F 11.260/12.244 | K 4.138 | B 16.220 | BA 5.875 | U 2.375 |
| N-W 5.874 | ES 4.330 | S 0.625 | R 2.019 | depth 0.625 |
| D 9.000 | G 1.480 | HB 4.251 | O 17.957 | HH 11.988 |
| HK 6.024 | H 0.660 | C 34.251 | LL 10.591 | LM 11.267 |
| AA NPT 3" | d1 DUNC 3/4"-10 | d2 DUNC 3/4"-10 | | |