

1 2 3 4 5 6 7 8

A

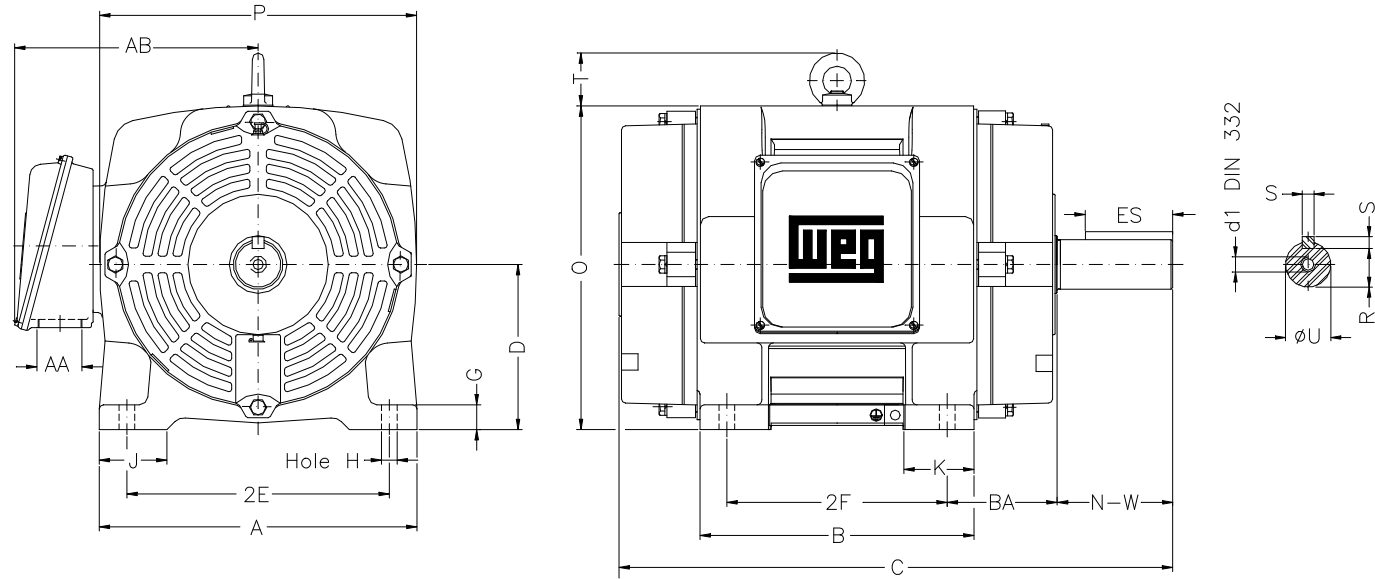
B

C

D

E

F



Notes: Downloaded from <http://dealerselectric.com>
Generated for Model #03036OT3E284TS

Performed by:

Checked:

Customer:

ODP – Open Induction Motors – NEMA Premium Efficiency

| | | | | |
|--------------------|--------------|------------------|-------------|--------------|
| 2E 11.000 | J 3.150 | A 13.780 | P 13.700 | AB 10.886 |
| 2F 9.500 | K 2.960 | B 11.574 | BA 4.750 | U 1.625 |
| d1 A 4 0.375 | N-W 3.250 | ES 2.480 | S 0.375 | R 1.416 |
| depth 0.375 | D 7.000 | G 1.102 | O 13.858 | T 2.165 |
| H 0.531 | C 22.000 | AA NPT 1 1/2" | | |

Three-phase induction motor
Frame 284TS - IP23

23-SEP-2016

