

1 2 3 4 5 6 7 8

A

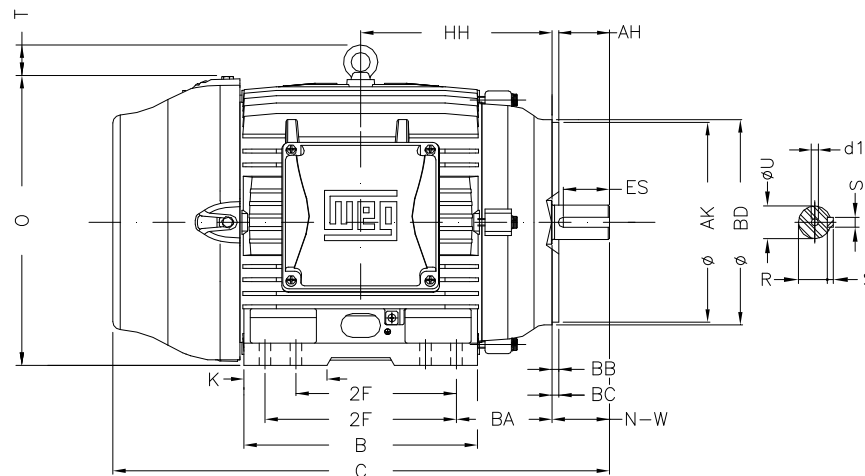
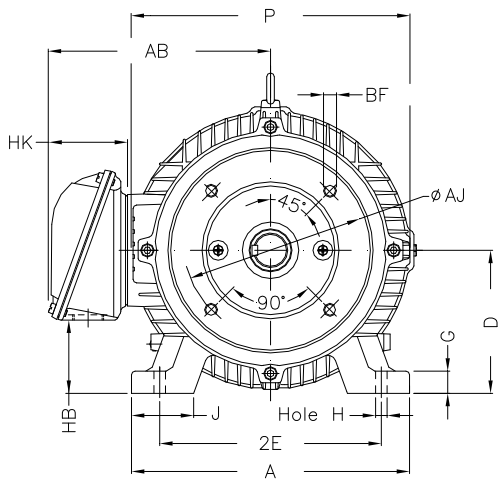
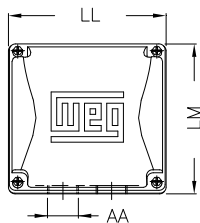
B

C

D

E

F



Notes: Downloaded from <http://dealerselectric.com>
Generated for Model #03036ET3H286TSC-W22

Performed by:

Checked:

Customer:

W22 NEMA Premium - Ball Bearings

Three-phase induction motor
Frame 284/6TS - IP55

23-SEP-2016



| | | | | |
|--------------|-------|--------|------------|-------------|
| 2E | J | A | P | AB |
| 11.000 | 3.071 | 13.780 | 14.173 | 11.073 |
| 2F | K | B | BA | FBA |
| 9.500/11.000 | 3.583 | 13.071 | 4.750 | 7.876 |
| U | N-W | ES | S | R |
| 1.625 | 3.250 | 2.480 | 0.375 | 1.416 |
| depth | D | G | HB | O |
| 0.375 | 7.000 | 1.023 | 3.535 | 14.067 |
| T | HF | HH | HK | H |
| 2.087 | 7.000 | 10.250 | 3.976 | 0.531 |
| C | LL | LM | AA | d1 |
| 26.557 | 7.815 | 7.480 | NPT 1 1/2" | A 4 |
| Flange | AJ | AK | BD | BF |
| FC-228 | 9.000 | 10.500 | 11.03 | UNC 1/2"x13 |
| BB | BC | AH | | |
| 0.250 | 0.250 | 3.000 | | |