

1 2 3 4 5 6 7 8

A

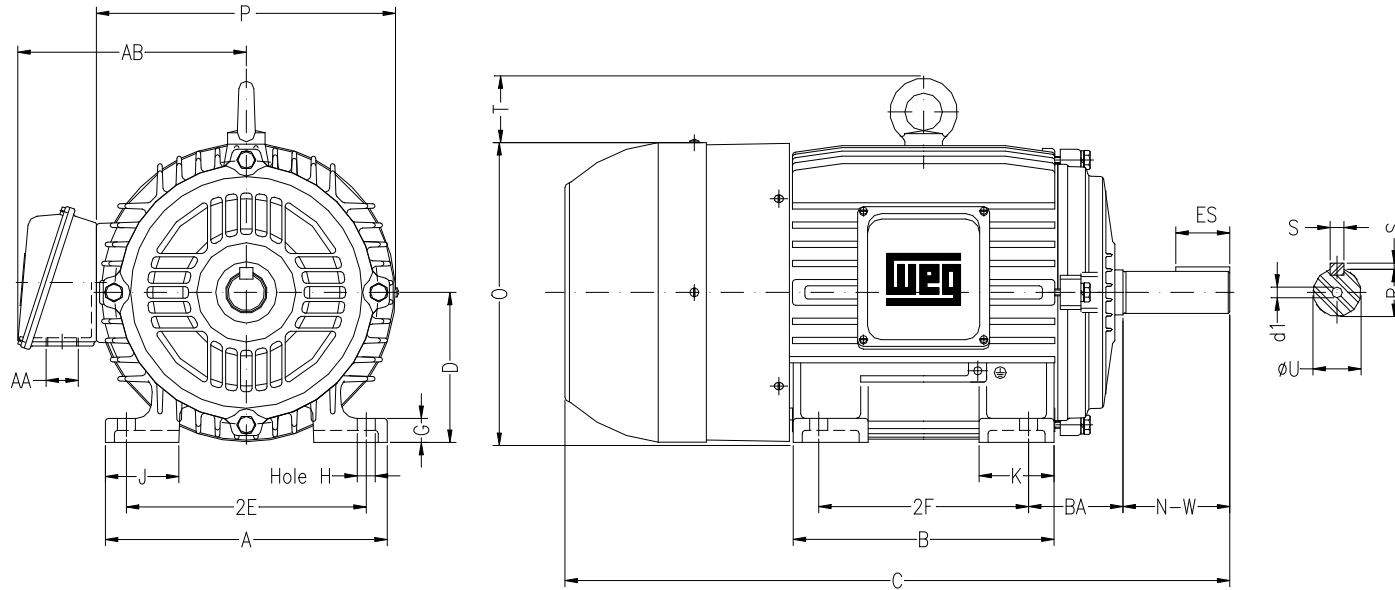
B

C

D

E

F



Notes: Downloaded from <http://dealerselectric.com>  
Generated for Model #03018EP3EBM286T

Performed by:

Checked:

Customer:

Brake Motors : Three-Phase - High Efficiency

Three-phase induction motor  
Frame 286T - IP55

23-SEP-2016



2E 11.000	A 13.780	2F 11.000	B 13.071	BA 4.750
J 3.150	K 2.953	P 14.094	ES 3.149	depth 0.500
S 0.500	N-W 4.622	U 1.875	R 1.594	AB 10.866
D 7.000	G 1.016	O 14.067	T 2.087	H 0.531
C 32.732	AA NPT 1 1/2"	d1 A 4	d2 A 4	