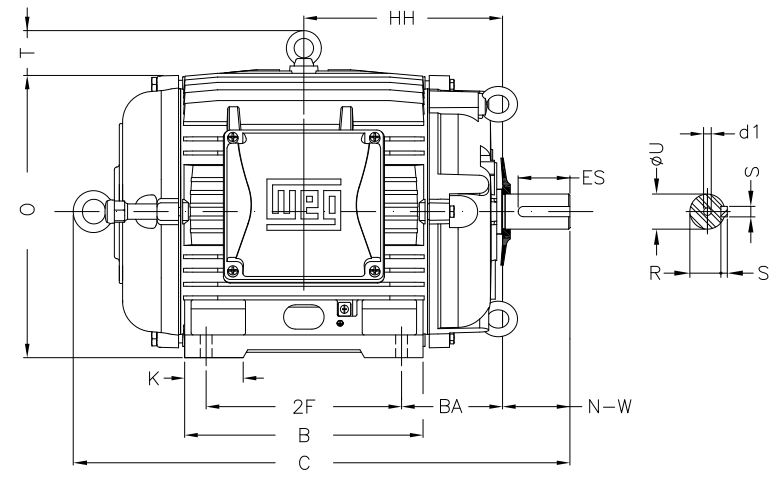
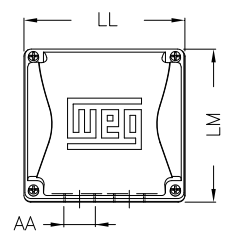
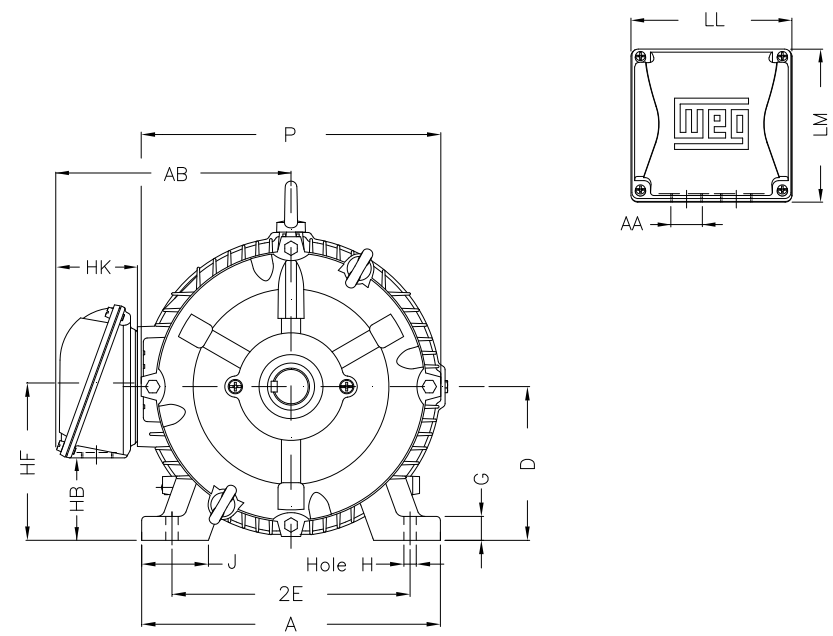


1 2 3 4 5 6 7 8

A  
B  
C  
D  
E  
F



Notes: Downloaded from <http://dealerselectric.com>  
Generated for Model #03012AT3PCT326TF1-W2

Performed by:

Checked:

Customer:

W22 Cooling Tower Motors: NEMA Premium - TEAO

2E	J	A	P	AB
12.500	3.189	15.157	14.961	12.575
2F	K	B	BA	U
12.000	4.055	14.567	5.250	2.125
N-W	ES	S	R	depth
5.250	3.937	0.500	1.844	0.500
D	G	HB	O	T
8.000	1.300	4.811	15.953	2.441
HF	HH	HK	H	C
8.708	11.250	4.705	0.657	30.071
LL	LM	AA	d1	
9.055	8.661	NPT 2"	A 4	

Three-phase induction motor  
Frame 326T - IP55

23-SEP-2016

