

1 2 3 4 5 6 7 8

A

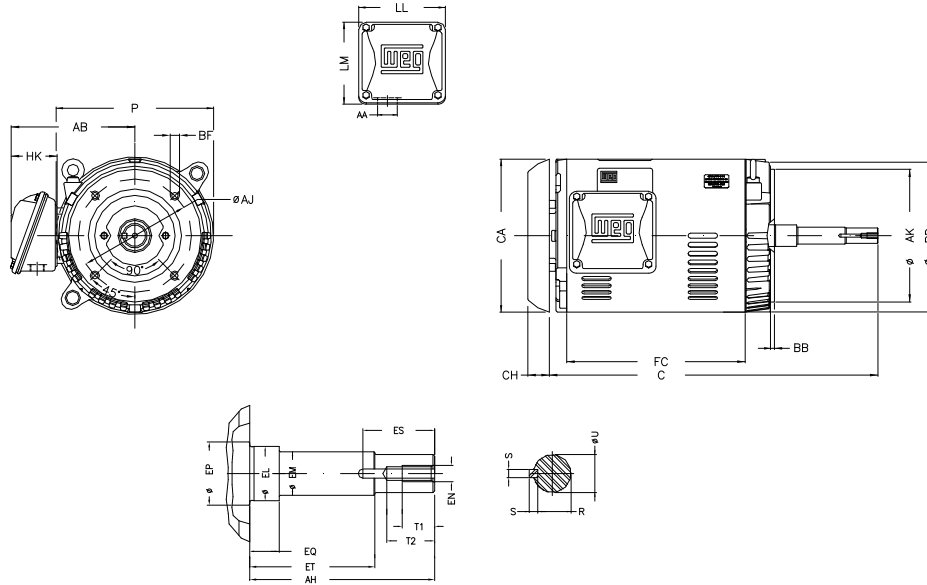
B

C

D

E

F



Notes: Downloaded from <http://dealerselectric.com>
Generated for Model #02536OT3V256JMV-S

Performed by:

Checked:

Customer:

Close Coupled Pump: Three-Phase - W01 (Rolled Steel) "JM" Type - ODP -

Three-phase induction motor
Frame 254/6JM - ODP

23-SEP-2016



P 11.558	AB 9.448	AA 1.732"	ER 5.250	EQ 0.630
ET 3.006	U 1.249	EM 1.375	EL 1.750	EP 1.769
ES 2.559	t1 1.024	t2 1.496	C 21.969	FC 12.992
Flange FC-184	AJ 7.250	AK 8.500	BD 11.084	BF UNC 1/2"x13
BB 0.250	AH 5.250			