

1 2 3 4 5 6 7 8

A

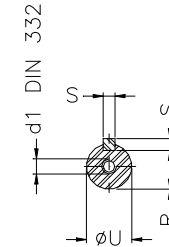
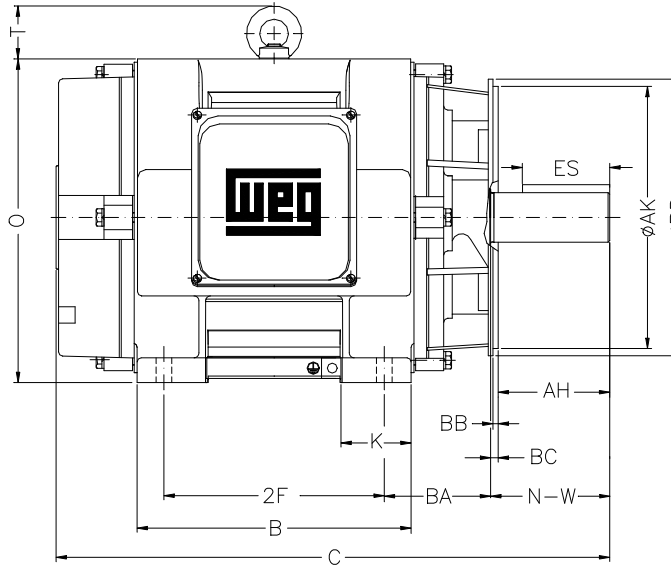
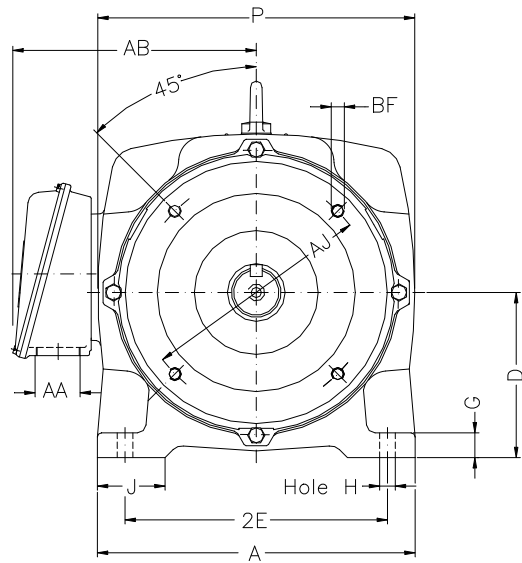
B

C

D

E

F



Notes: Downloaded from <http://dealerselectric.com>
Generated for Model #02536OP3EFP256TC

2E 10.000	A 12.130	2F 10.000	B 11.732	BA 4.250
J 2.520	K 2.560	P 11.812	ES 2.756	depth 0.375
S 0.375	D 6.250	N-W 4.000	G 0.787	U 1.625
O 12.204	T 2.165	R 1.416	H 0.531	AB 10.079
C 22.401	AA NPT 1 1/2"	d1 A 4	Flange FC-184	AJ 7.250
AK 8.500	BD 8.875	BF UNC 1/2"x13	BB 0.250	BC 0.250
AH 3.750				

Performed by:	
Checked:	
Customer:	Fire Pump Motors - ODP Three Phase - Foot Mount and Flange Mount
Three-phase induction motor Frame 256T - IP23	23-SEP-2016

