

1 2 3 4 5 6 7 8

A

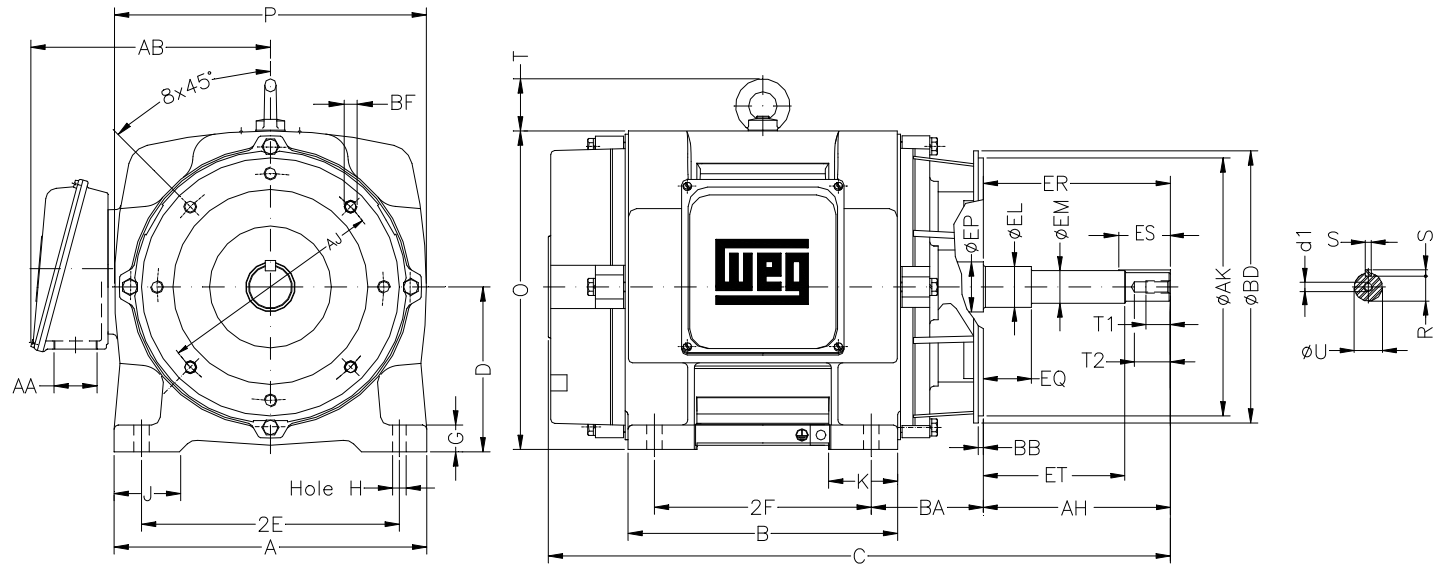
B

C

D

E

F



Notes: Downloaded from <http://dealerselectric.com>  
Generated for Model #02536OP3E256JP

2E 10.000	A 12.130	2F 10.000	B 11.732	J 2.520
BA 4.500	D 6.220	K 2.560	G 0.787	O 12.204
P 11.812	T 2.165	H 0.531	AA NPT 1 1/2"	ER 8.130
EQ 2.382	ET 5.886	U 1.249	EM 1.375	EL 1.750
S 0.250	EP 1.770	R 1.110	ES 2.559	d1 EUNC 1/2"-13
t1 0.984	t2 1.496	C 26.782	Flange FC-184	AJ 7.250
AK 8.500	BD 8.858	BF UNC 1/2"x13	BB 0.250	AH 8.130

Performed by:

Checked:

Customer:

Close Coupled Pump : Three-Phase - "JP" Type - ODP - High Efficiency

Three-phase induction motor  
Frame 256JP - IP23

23-SEP-2016

