

1 2 3 4 5 6 7 8

A

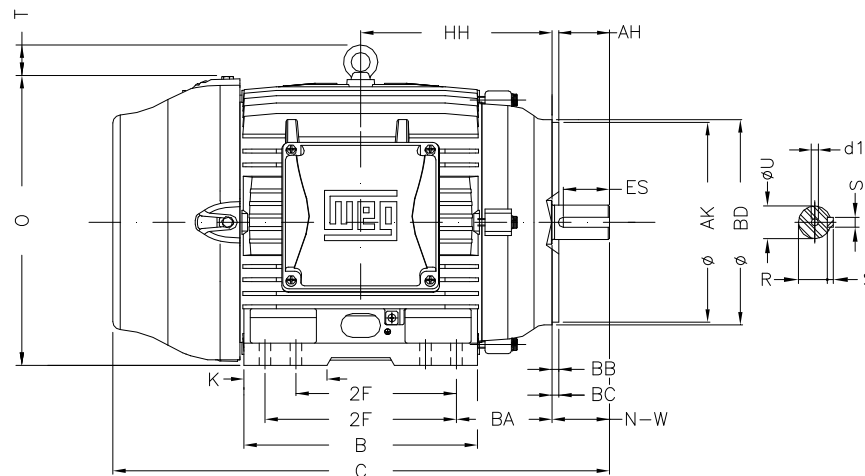
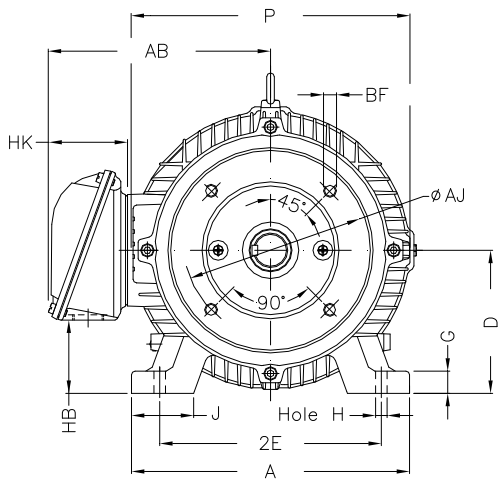
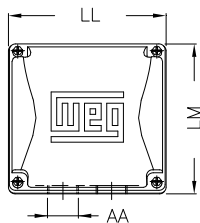
B

C

D

E

F



Notes: Downloaded from <http://dealerselectric.com>
Generated for Model #02536ET3H284TSC-W22

Performed by:

Checked:

Customer:

W22 NEMA Premium - Ball Bearings

Three-phase induction motor
Frame 284/6TS - IP55

23-SEP-2016



2E	J	A	P	AB
11.000	3.071	13.780	14.173	11.073
2F	K	B	BA	FBA
9.500/11.000	3.583	13.071	4.750	7.876
U	N-W	ES	S	R
1.625	3.250	2.480	0.375	1.416
depth	D	G	HB	O
0.375	7.000	1.023	3.535	14.067
T	HF	HH	HK	H
2.087	7.000	10.250	3.976	0.531
C	LL	LM	AA	d1
26.557	7.815	7.480	NPT 1 1/2"	A 4
Flange	AJ	AK	BD	BF
FC-228	9.000	10.500	11.03	UNC 1/2"x13
BB	BC	AH		
0.250	0.250	3.000		