

1 2 3 4 5 6 7 8

A

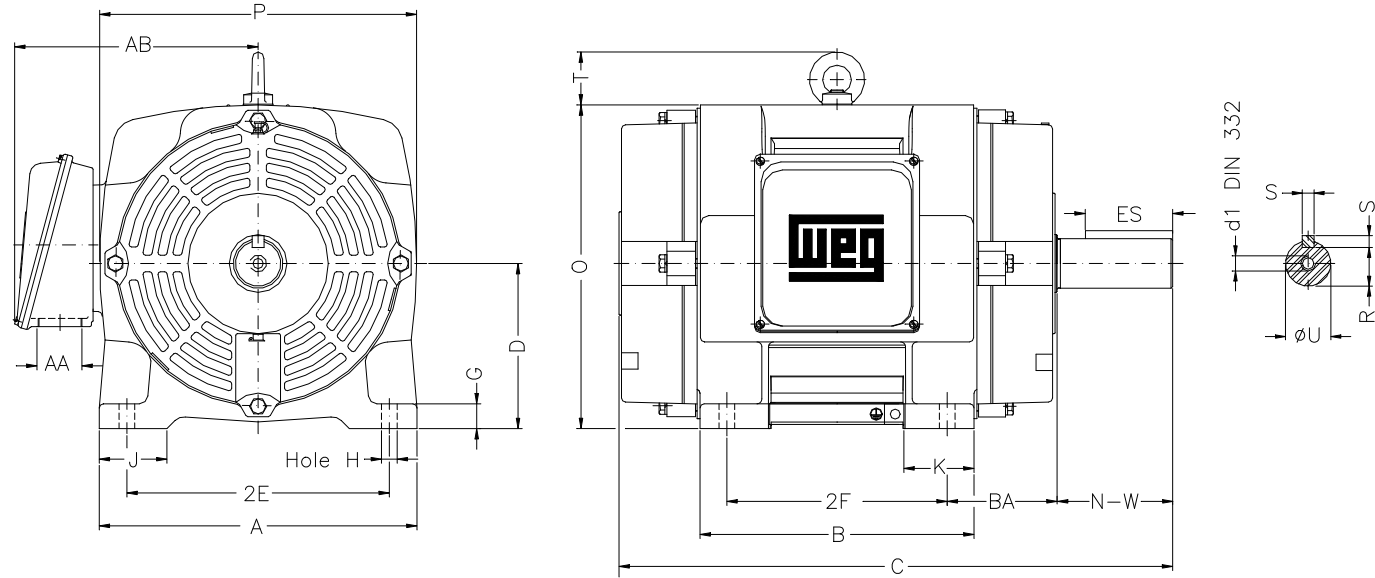
B

C

D

E

F



Notes: Downloaded from <http://dealerselectric.com>
Generated for Model #02518OP3VFP284TS

Performed by:

Checked:

Customer:

Fire Pump Motors - ODP Three Phase - Foot Mount and Flange Mount

| | | | | |
|--------------|------------------|--------------|-------------|----------------|
| 2E 11.000 | A 13.780 | 2F 9.500 | B 11.574 | BA 4.750 |
| J 3.150 | K 2.960 | P 13.700 | ES 2.480 | depth 0.375 |
| S 0.375 | D 7.000 | N-W 3.250 | G 1.102 | U 1.625 |
| O 13.858 | T 2.165 | R 1.416 | H 0.531 | AB 10.886 |
| C 22.000 | AA NPT 1 1/2" | d1 A 4 | | |

Three-phase induction motor
Frame 284TS - IP23

23-SEP-2016

