

1 2 3 4 5 6 7 8

A

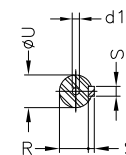
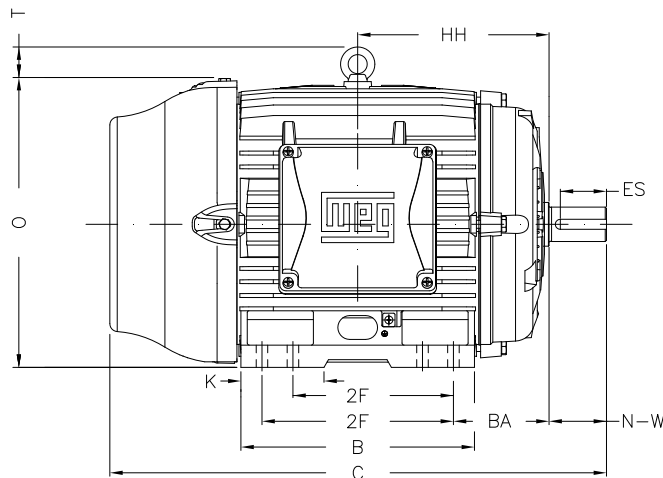
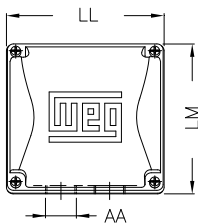
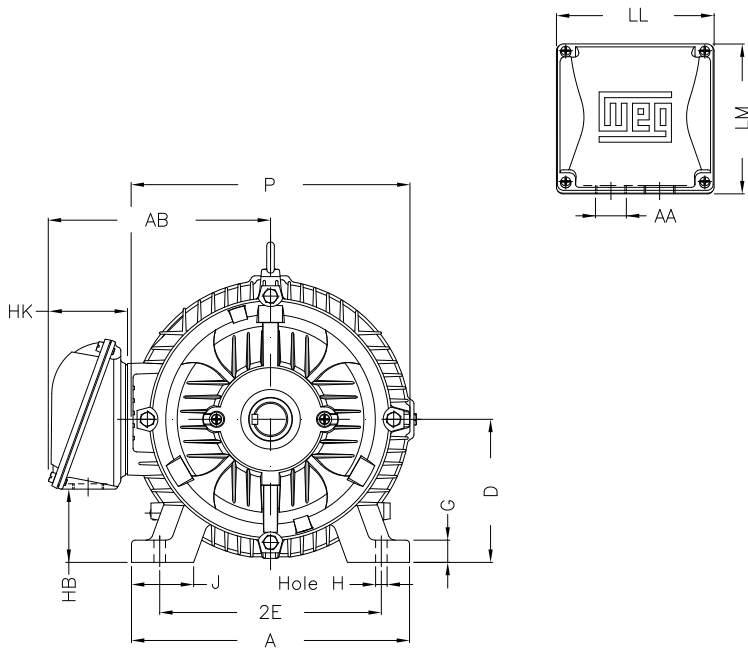
B

C

D

E

F



Notes: Downloaded from <http://dealerselectric.com>
Generated for Model #02518ET3E284T-W22

Performed by:

Checked:

Customer:

W22 NEMA Premium - Ball Bearings

Three-phase induction motor
Frame 284/6T - IP55

23-SEP-2016



| | | | | |
|--------------------|--------------|--------------|------------------|--------------|
| 2E 11.000 | J 3.071 | A 13.780 | P 14.173 | AB 11.073 |
| 2F 9.500/11.000 | K 3.583 | B 13.071 | BA 4.750 | FBA 7.876 |
| U 1.875 | N-W 4.622 | ES 3.149 | S 0.500 | R 1.594 |
| depth 0.500 | D 7.000 | G 1.023 | HB 3.535 | O 14.067 |
| T 2.087 | HF 7.000 | HH 10.250 | HK 3.976 | H 0.531 |
| C 27.929 | LL 7.815 | LM 7.480 | AA NPT 1 1/2" | d1 A 4 |