

1 2 3 4 5 6 7 8

A

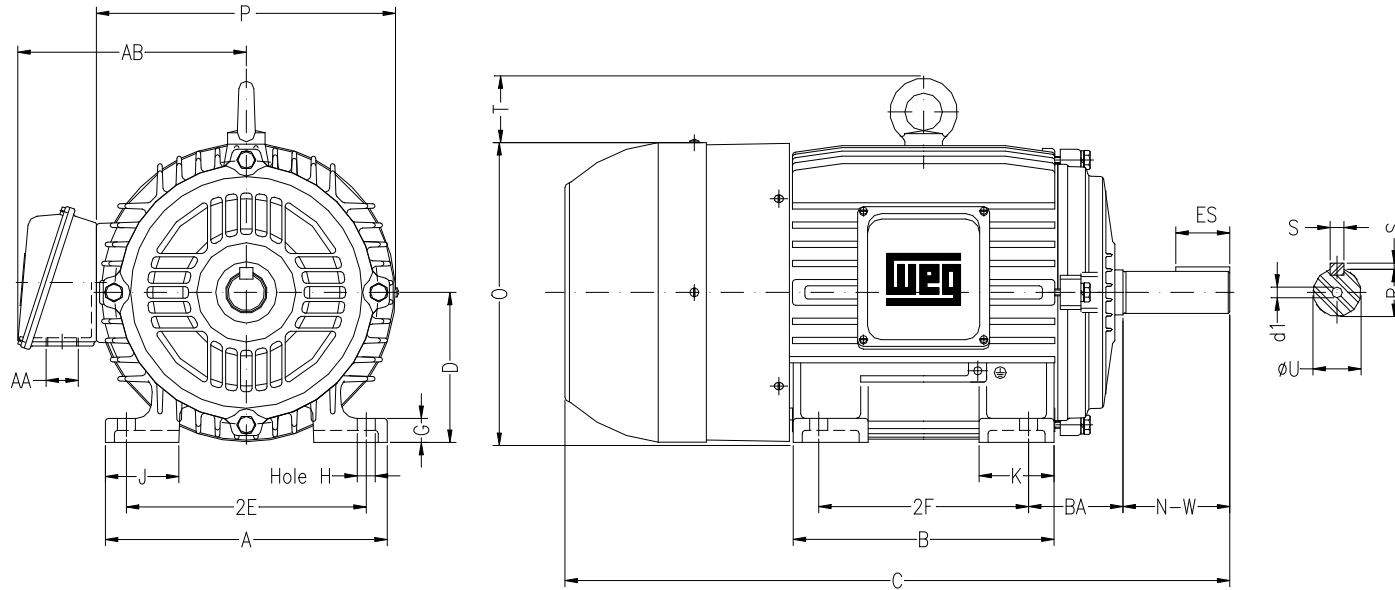
B

C

D

E

F



Notes: Downloaded from <http://dealerselectric.com>  
Generated for Model #02518EP3EBM284T

Performed by:

Checked:

Customer:

Brake Motors : Three-Phase - High Efficiency

|              |                  |             |             |                |
|--------------|------------------|-------------|-------------|----------------|
| 2E<br>11.000 | A<br>13.780      | 2F<br>9.500 | B<br>11.575 | BA<br>4.750    |
| J<br>3.150   | K<br>2.953       | P<br>14.094 | ES<br>3.149 | depth<br>0.500 |
| S<br>0.500   | N-W<br>4.622     | U<br>1.875  | R<br>1.594  | AB<br>10.866   |
| D<br>7.000   | G<br>1.016       | O<br>14.067 | T<br>2.087  | H<br>0.531     |
| C<br>31.236  | AA<br>NPT 1 1/2" | d1<br>A 4   | d2<br>A 4   |                |

Three-phase induction motor  
Frame 284T - IP55

23-SEP-2016

