

1 2 3 4 5 6 7 8

A

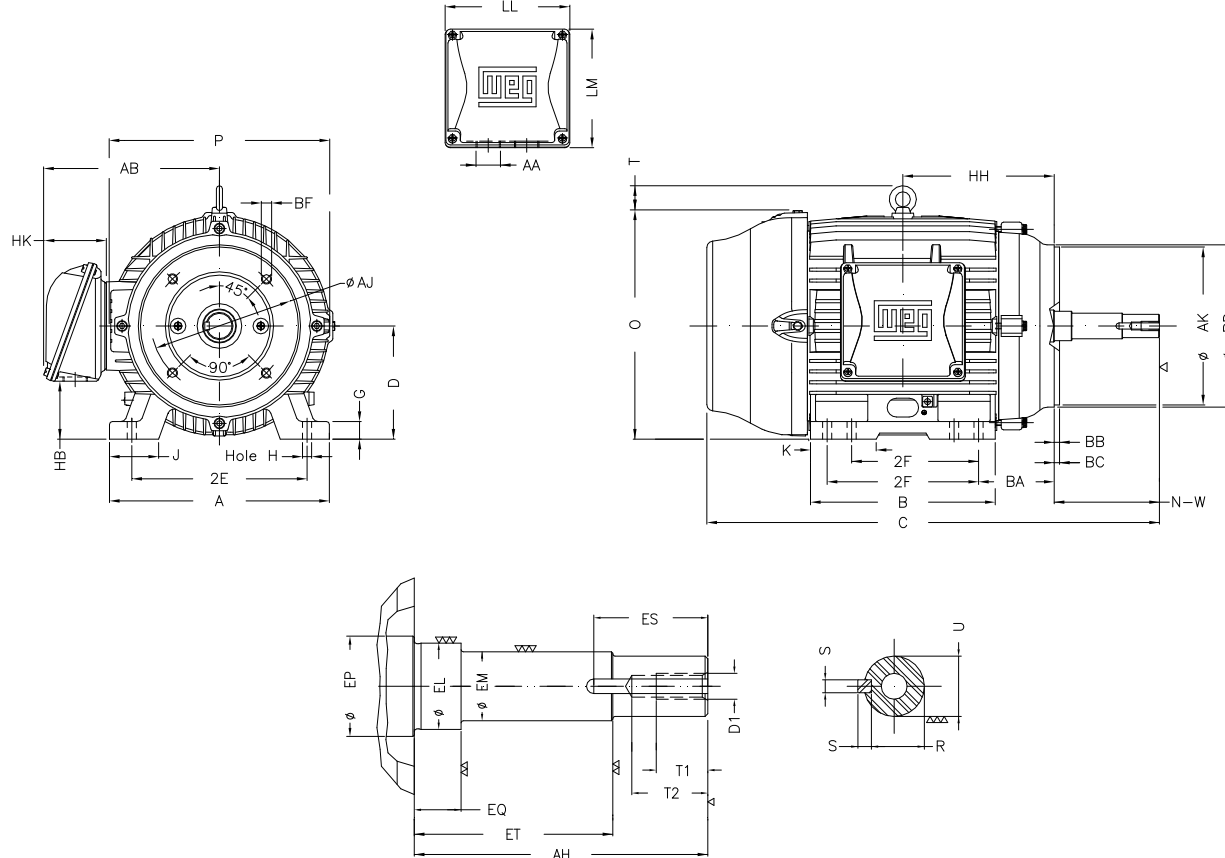
B

C

D

E

F



Notes: Downloaded from <http://dealerselectric.com>
Generated for Model #02512ET3E324JP-W22

2E 12.500	J 3.189	A 15.157	P 15.827	AB 12.575
2F 10.500/12.000	K 4.055	B 14.567	BA 5.250	D 8.000
G 1.300	O 15.953	T 2.441	H 0.657	AA NPT 2"
EQ 2.402	ET 5.906	U 1.249	EM 1.375	EL 1.750
EP 2.360	ES 2.480	t1 1.102	t2 1.476	C 34.021
d1 EUNC 1/2"-13	HH 11.250	HK 4.705	HB 4.811	LL 9.055
LM 8.661	S 0.250	R 1.110	Flange FC-279	AJ 11.000
AK 12.500	BD 13.593	BF UNC 5/8"x11	BB 0.248	AH 8.130

Performed by:

Checked:

Customer:

Close Coupled Pump: Three-Phase - W22 "JP" Type - TEFC - NEMA Premium

Three-phase induction motor
Frame 324/6JP - IP55

23-SEP-2016

