

1 2 3 4 5 6 7 8

A

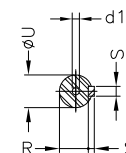
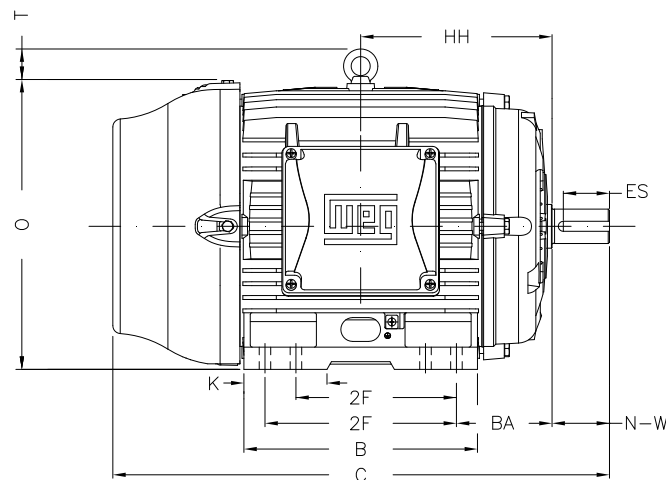
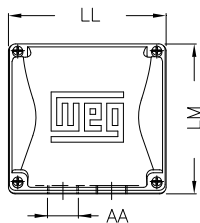
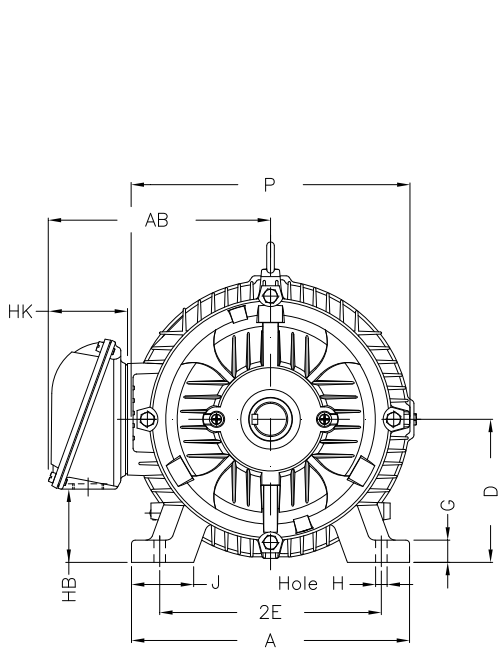
B

C

D

E

F



Notes: Downloaded from <http://dealerselectric.com>  
Generated for Model #02509ST3QIE326T-W22

Performed by:

Checked:

Customer:

Three-Phase: W22 IEEE-841™ Petrochem Motors - NEMA Premium® Efficiency

Three-phase induction motor  
Frame 324/6T - IP55

23-SEP-2016



|                     |              |              |             |                |
|---------------------|--------------|--------------|-------------|----------------|
| 2E<br>12.500        | J<br>3.189   | A<br>15.157  | P<br>15.827 | AB<br>12.575   |
| 2F<br>10.500/12.000 | K<br>4.055   | B<br>14.567  | BA<br>5.250 | U<br>2.125     |
| N-W<br>5.250        | ES<br>3.937  | S<br>0.500   | R<br>1.844  | depth<br>0.500 |
| D<br>8.000          | G<br>1.300   | HB<br>4.811  | O<br>15.953 | T<br>2.441     |
| HF<br>8.708         | HH<br>11.250 | HK<br>4.705  | H<br>0.657  | C<br>31.116    |
| LL<br>9.055         | LM<br>8.661  | AA<br>NPT 2" | d1<br>A 4   | d2<br>A 4      |