

1 2 3 4 5 6 7 8

A

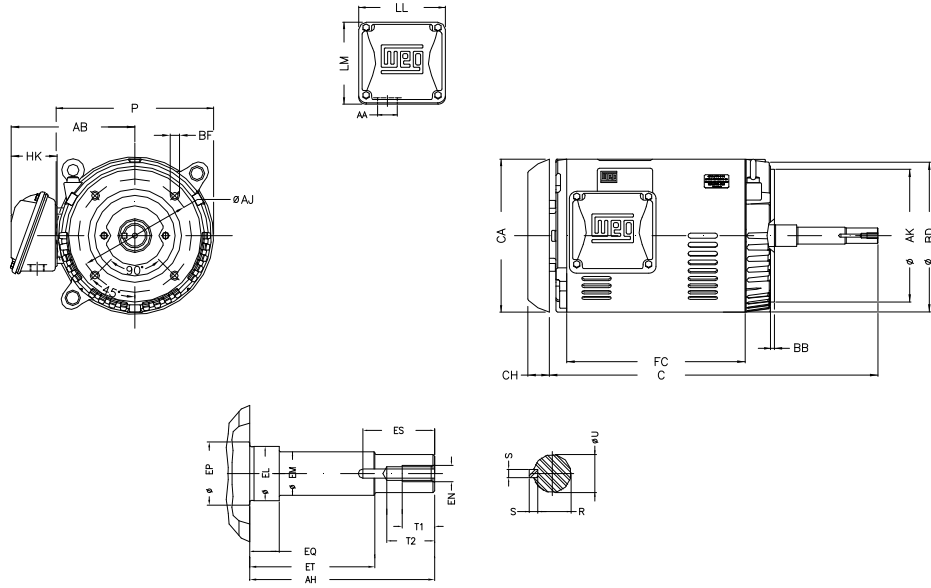
B

C

D

E

F



Notes: Downloaded from <http://dealerselectric.com>  
Generated for Model #02036OT3V254JMV-S

Performed by:

Checked:

Customer:

Close Coupled Pump: Three-Phase - W01 (Rolled Steel) "JM" Type - ODP -

Three-phase induction motor  
Frame 254/6JM - ODP

23-SEP-2016



|        |       |        |        |             |
|--------|-------|--------|--------|-------------|
| P      | AB    | AA     | ER     | EQ          |
| 11.558 | 9.448 | 1.732" | 5.250  | 0.630       |
| ET     | U     | EM     | EL     | EP          |
| 3.006  | 1.249 | 1.375  | 1.750  | 1.769       |
| ES     | t1    | t2     | C      | FC          |
| 2.559  | 1.024 | 1.496  | 21.969 | 12.992      |
| Flange | AJ    | AK     | BD     | BF          |
| FC-184 | 7.250 | 8.500  | 11.084 | UNC 1/2"x13 |
| BB     | AH    |        |        |             |
| 0.250  | 5.250 |        |        |             |