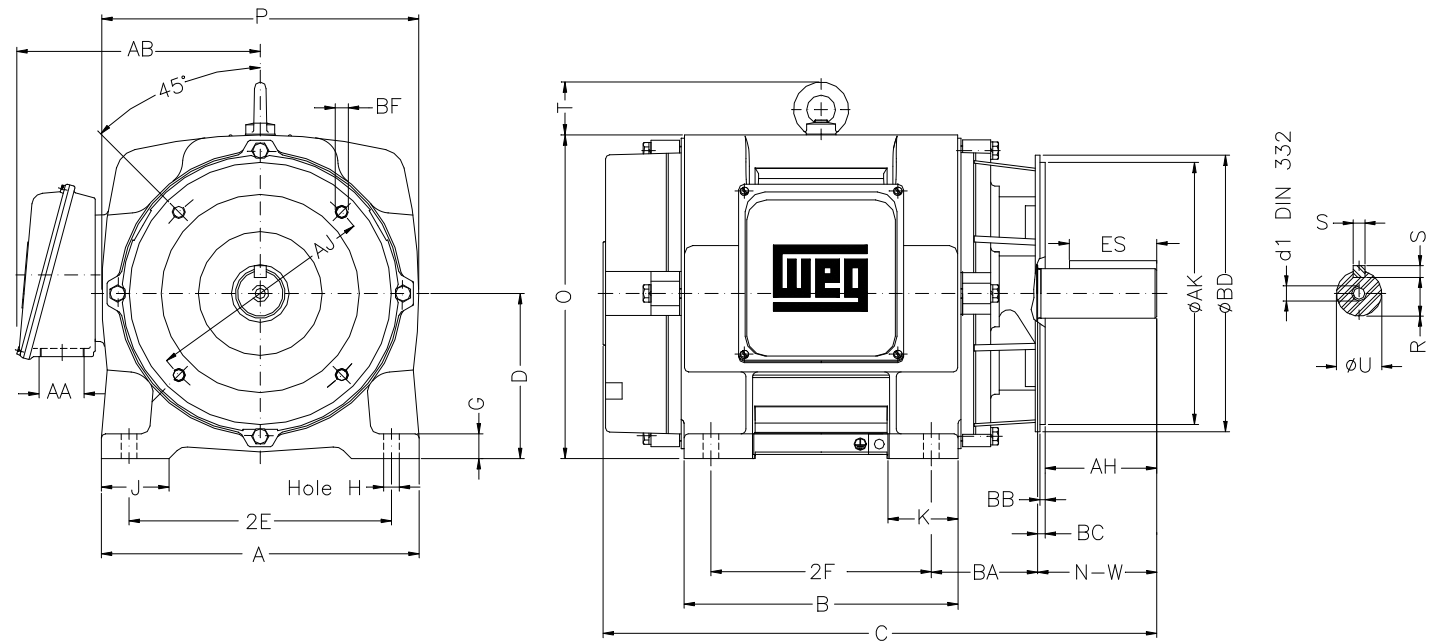


1 2 3 4 5 6 7 8

A
B
C
D
E
F



Notes: Downloaded from <http://dealerselectric.com>
Generated for Model #02036OP3VFP254TC

2E 10.000	A 12.130	2F 8.250	B 10.100	BA 4.250
J 2.520	K 2.560	P 11.812	ES 2.756	depth 0.375
S 0.375	D 6.250	N-W 4.000	G 0.787	U 1.625
O 12.204	T 2.165	R 1.416	H 0.531	AB 10.079
C 20.669	AA NPT 1 1/2"	d1 A 4	Flange FC-184	AJ 7.250
AK 8.500	BD 8.875	BF UNC 1/2"x13	BB 0.250	BC 0.250
AH 3.750				

Performed by:
Checked:
Customer:
Fire Pump Motors - ODP Three Phase - Foot Mount and Flange Mount
Three-phase induction motor
Frame 254T - IP23
23-SEP-2016