

1 2 3 4 5 6 7 8

A

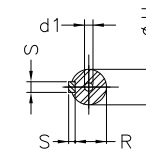
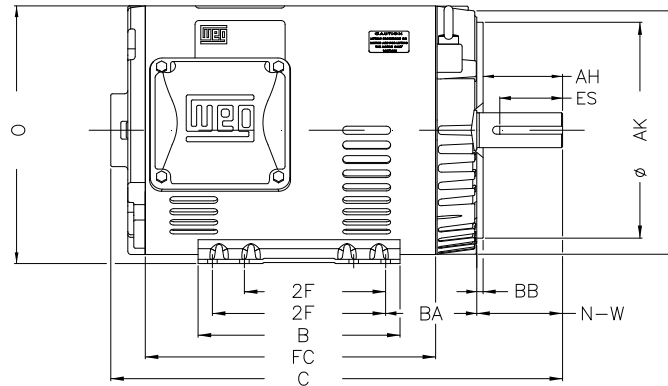
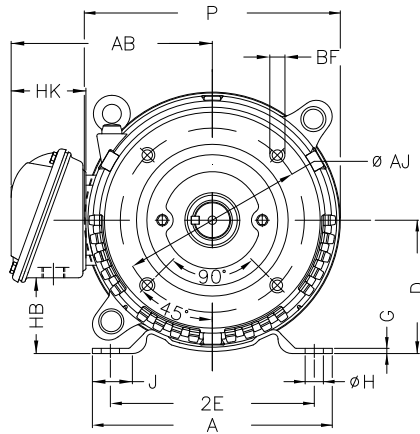
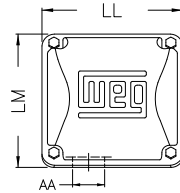
B

C

D

E

F



Notes: Downloaded from <http://dealerselectric.com>
Generated for Model #02036OP3VFP254TC-S

| | | | | |
|--------|--------|--------------|--------|--------|
| P | AB | J | 2E | A |
| 11.558 | 9.448 | 1.693 | 10.000 | 11.417 |
| H | G | HB | HK | T |
| 0.530 | 0.187 | 3.631 | 3.645 | 0.019 |
| O | FC | 2F | B | C |
| 12.010 | 12.992 | 8.252/10.000 | 11.417 | 20.472 |
| BA | N-W | ES | d1 | S |
| 4.750 | 3.380 | 2.756 | A 4 | 0.375 |
| U | AA | depth | R | LL |
| 1.625 | 1.732" | 0.375 | 1.416 | 6.299 |
| LM | D | CH | Flange | AJ |
| 6.017 | 6.250 | 1.929 | FC-184 | 7.250 |
| AK | BD | BF | BB | AH |
| 8.500 | 11.084 | UNC 1/2"x13 | 0.250 | 3.750 |

Performed by:

Checked:

Customer:

Fire Pump: Three Phase - W01 (Rolled Steel) - ODP - High Efficiency

Three-phase induction motor
Frame 254/6T - ODP

23-SEP-2016

