

1 2 3 4 5 6 7 8

A

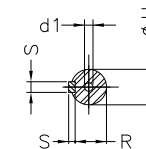
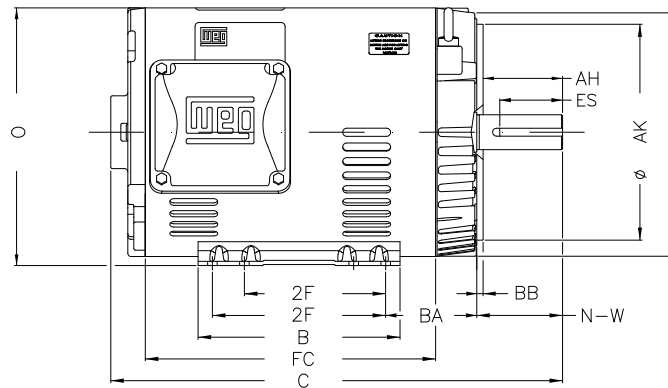
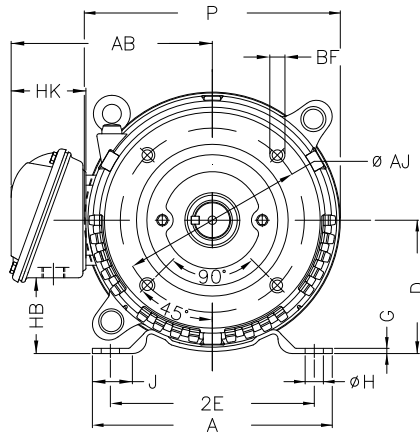
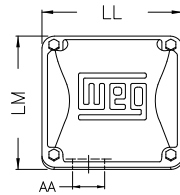
B

C

D

E

F



Notes: Downloaded from <http://dealerselectric.com>  
Generated for Model #01536OP3VFP215TC-S

P 9.846	AB 7.973	J 1.575	2E 8.500	A 9.449
H 0.406	G 0.167	HB 2.982	HK 3.022	T 0.029
O 10.144	FC 10.630	2F 5.500/7.000	B 7.953	C 16.969
BA 4.250	N-W 3.380	ES 2.480	d1 A 4	S 0.313
U 1.375	AA 1.377"	depth 0.313	R 1.203	LL 5.551
LM 5.250	D 5.250	CH 1.929	Flange FC-184	AJ 7.250
AK 8.500	BD 9.401	BF UNC 1/2"x13	BB 0.250	AH 3.129

Performed by:

Checked:

Customer:

Fire Pump: Three Phase - W01 (Rolled Steel) - ODP - High Efficiency

Three-phase induction motor  
Frame 213/5T - ODP

23-SEP-2016

